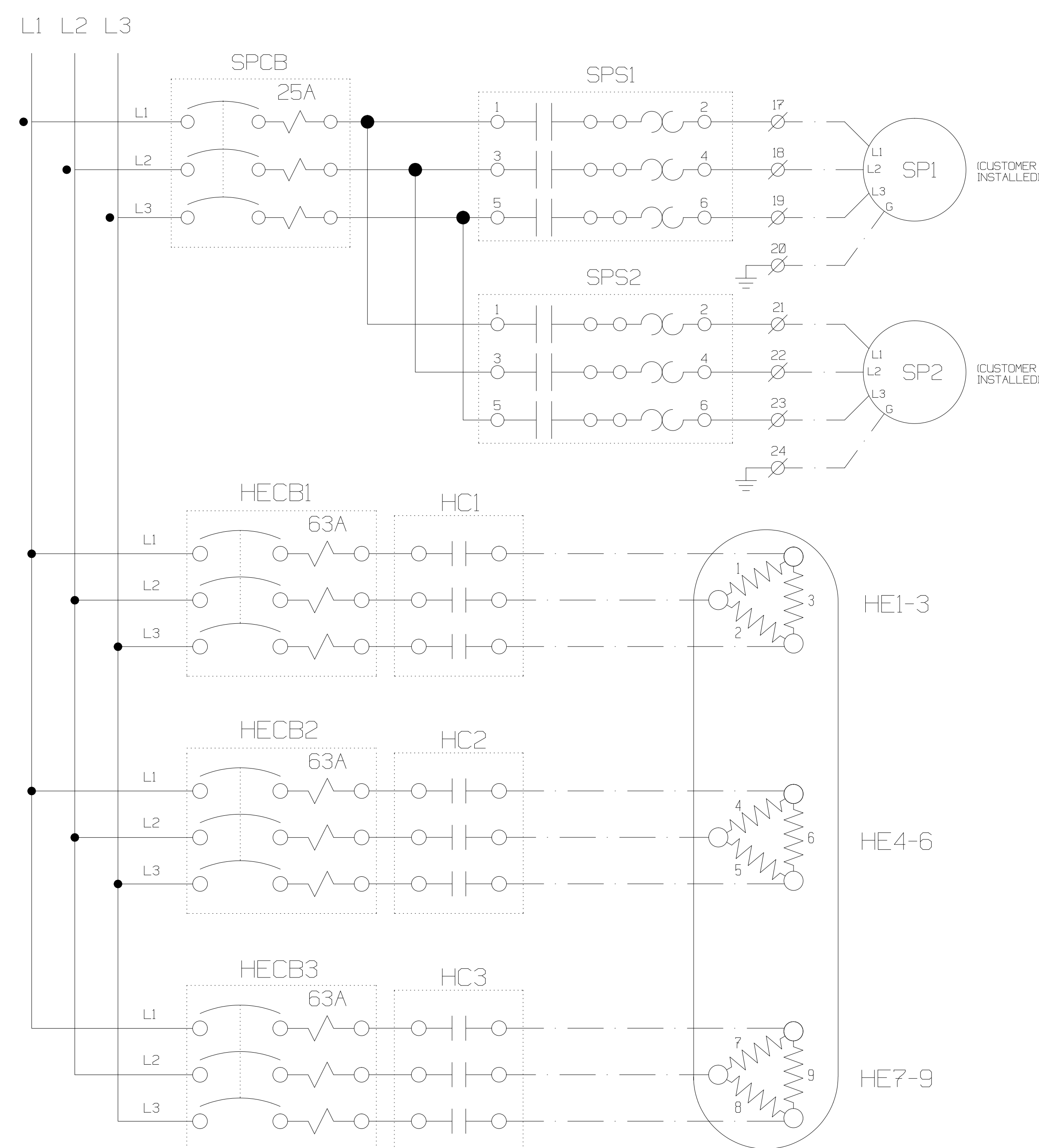
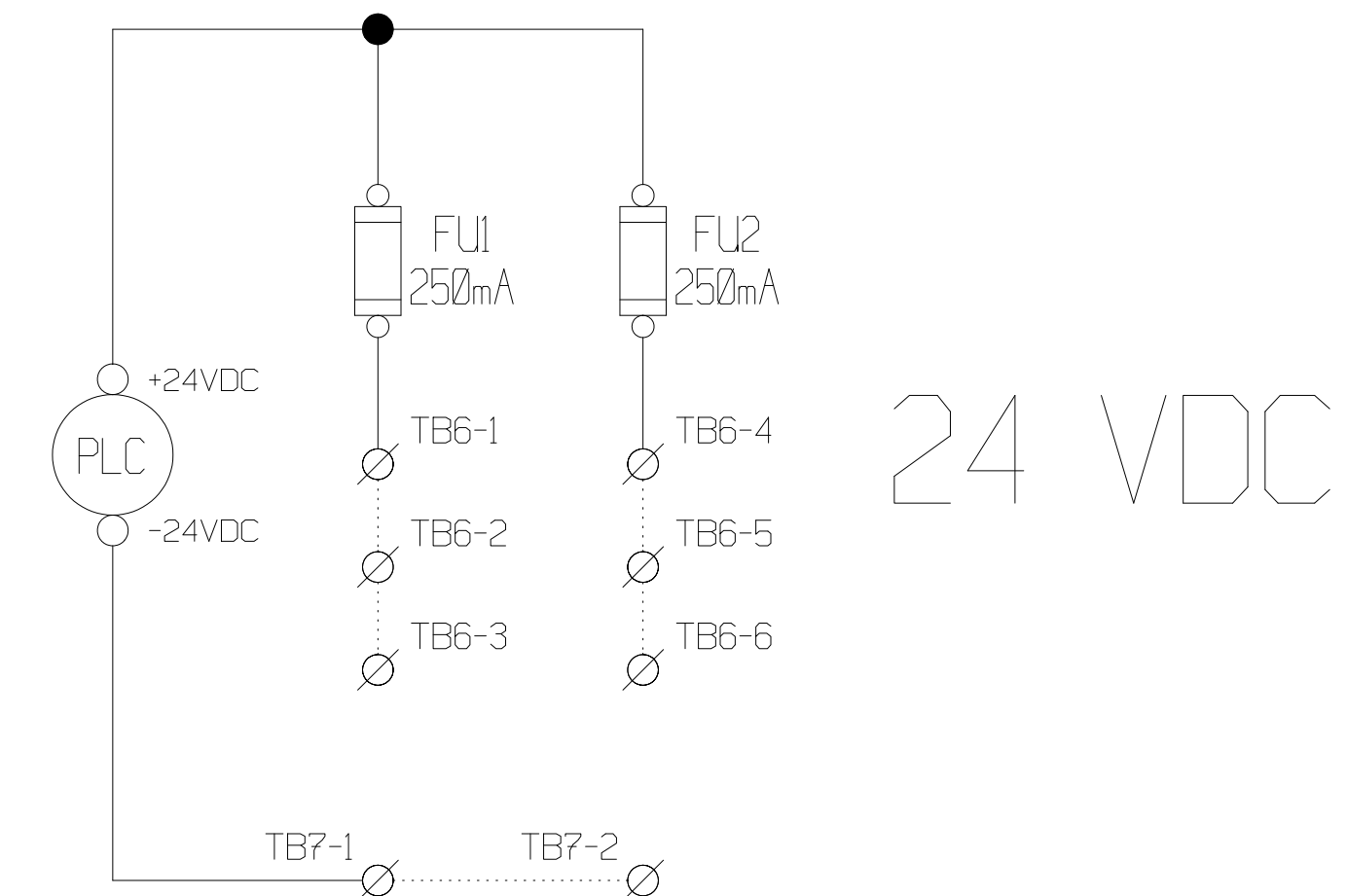
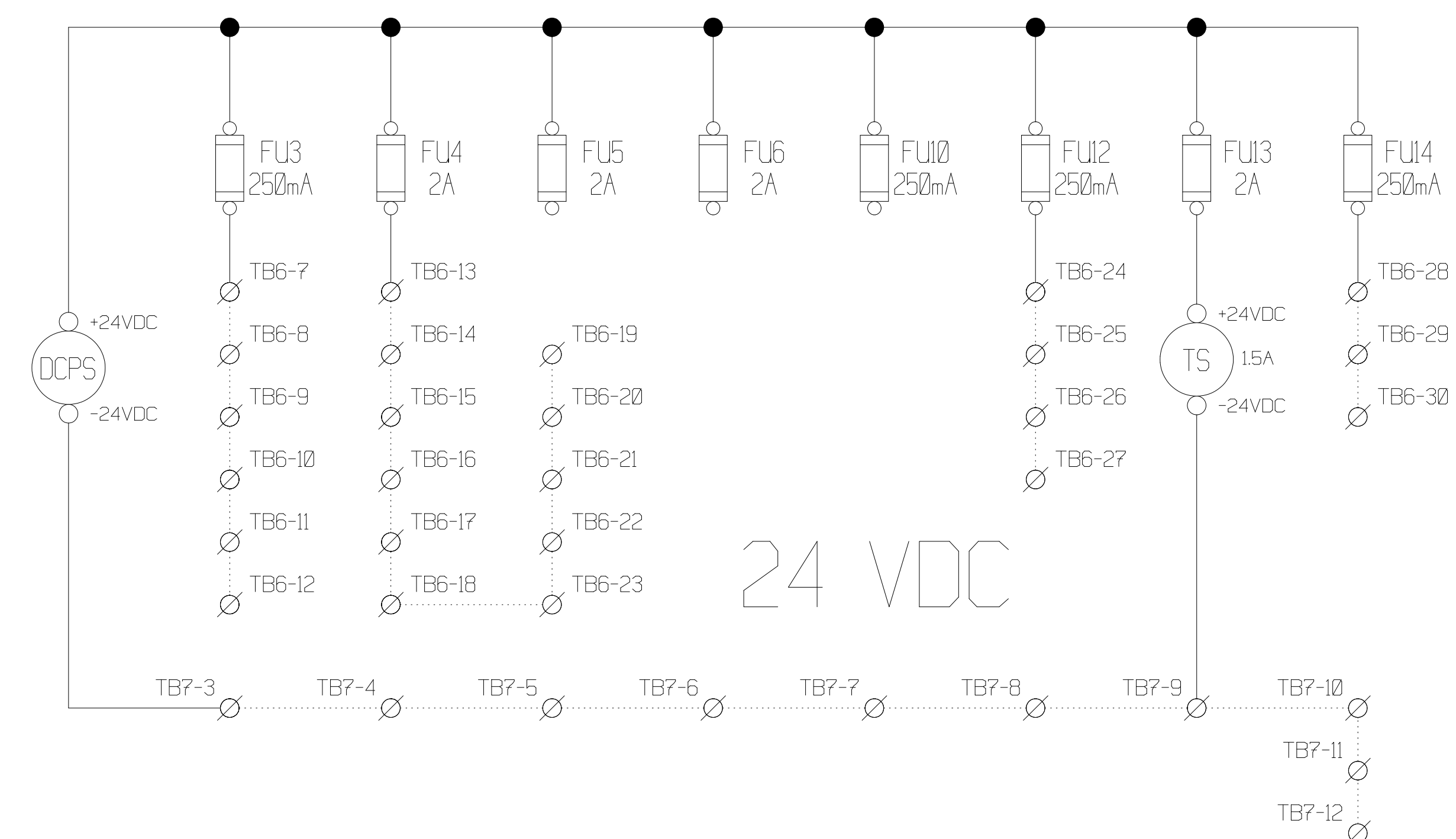
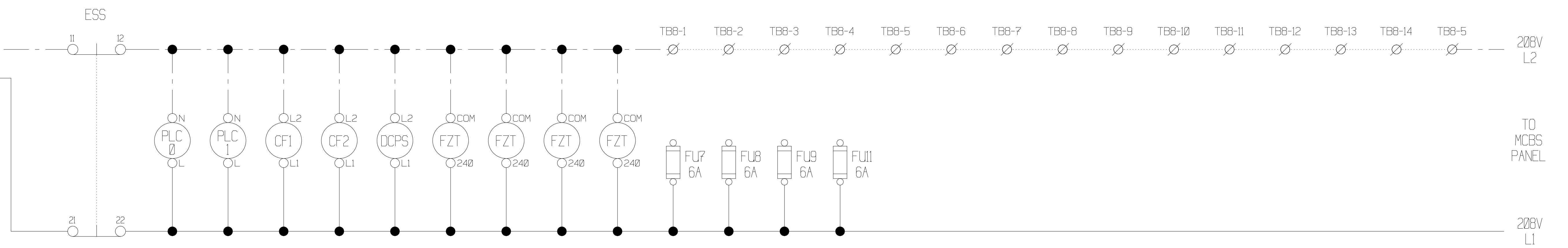
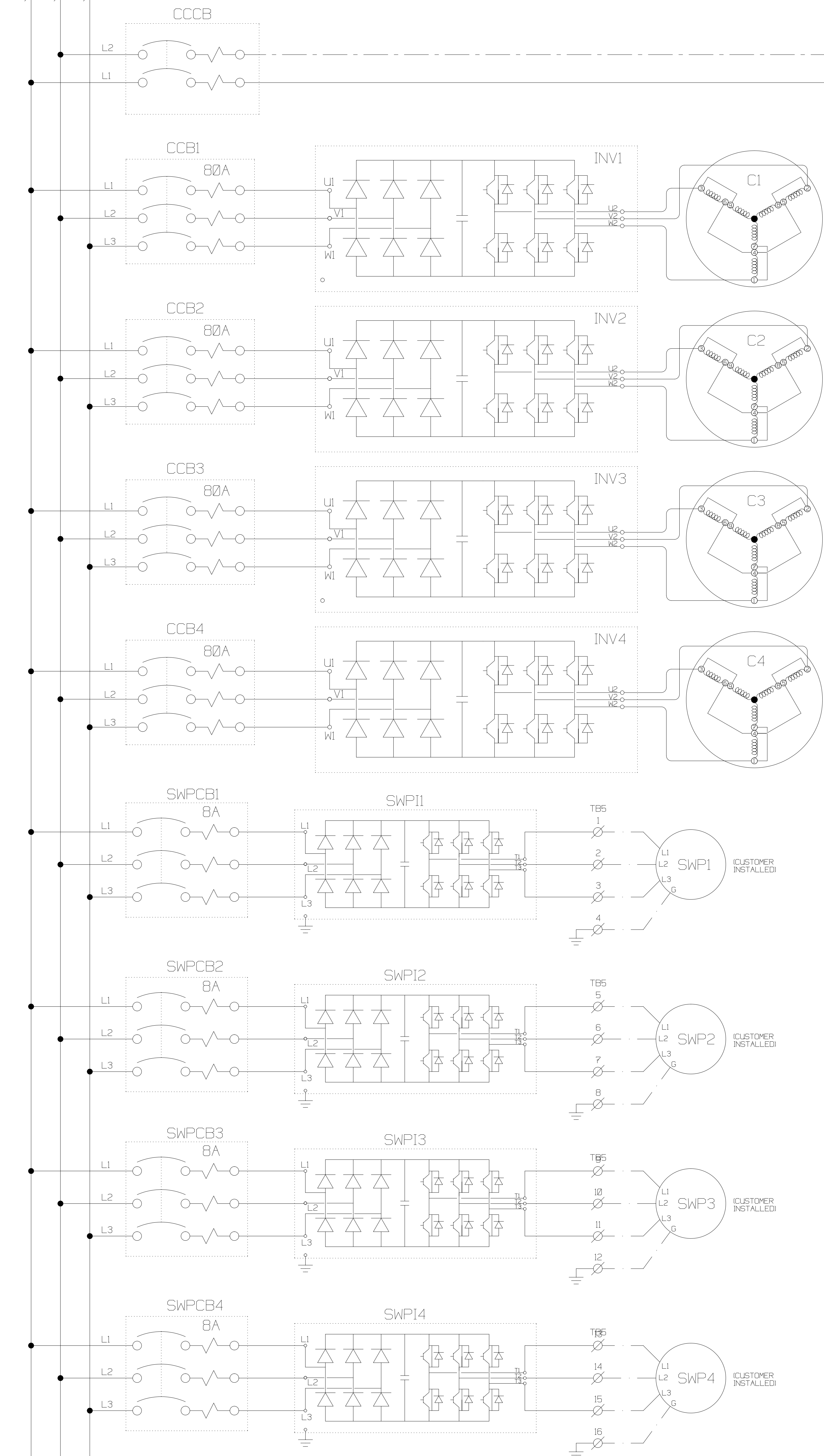


MAIN  
POWER  
INPUT 1  
208/3/60  
L1 L2 L3  
4-1 4-2 4-3



<b>AQUA-AIR MARINE AIR CONDITIONING SYSTEMS</b>			
<b>OM75P-4VIHD LADDER SCHEMATIC</b>			
DRAWING NUMBER	GL12-14	DRAWN BY	DN
SCALE	NONE	DATE	20080428
APPROVED BY		REVISION DATE	
			REV A