



# **AQUA AIR**

**MARINE AIR CONDITIONING  
SYSTEMS**

## **Air Distribution Components**

**Wood Grilles, Plastic Grilles,  
Grille to Flex Duct Adaptors,  
Hose Adaptors and Duct**

# Guidelines and Safety

Consult your system installation manual for the recommended use of air control products. We will be glad to assist you but it is your responsibility to insure proper airflow and safety. Insure that all of our products are secured as necessary to prevent injuries.

It is especially important that the correct size return air grille be used and mounted as close to the system evaporator as possible. It cannot be mounted in such a manner that it would introduce deadly fumes into the living quarters. Short on space? With our almost unlimited number of sizes and special custom shapes in our wood-framed line, you should be able to insure maximum airflow. *Is that drawer a perfect place for the return air grille but you do not want to go through the work of making a stock grille fit? Pull it out, throw it away and give us the cutout dimensions. We will make a grille to fit that space.*

## WOOD-FRAMED GRILLES

We offer a great number of size and options in our wood-framed grille line. In order to insure that you get what you want, please make your selections in Steps 1-5.

### First Step. Choose your grille model by code

Code	Description
RA	Return-Air Grille, with fixed vanes, track and filter
RAR	Return-Air Grille, with our EZ removable fixed vanes, track and optional filter
V	Supply Grille, Single Deflection (one row of vanes run vertical)
VH	Supply Grille, Double Deflection (two rows of vanes, front one vertical)
VML	Supply Grille, Single Deflection & Damper (one vertical row w/damper row)
WG	Supply Grille, Double Deflection 30 Degree Wedge (two rows of vanes)
WGML	Supply Grille, Single Deflection & Damper 30 Degree Wedge (one row + damper row)

**Step 2. Choose a wood species.** Our most common wood species are listed below with their letter designators. Call us to inquire about other species not listed. We are the only manufacturer of our kind that runs their own molder to insure quality and fast orders.

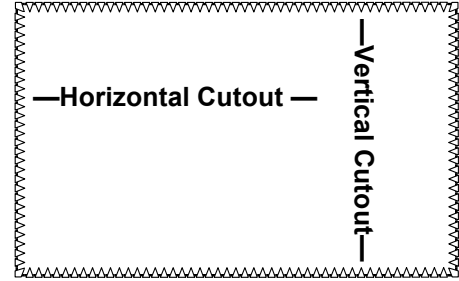
Price Level	Wood Code	Wood Name	Wood Description
1	A	ASH	American White Ash
1	B	BEECH	American Beech
1	SC	CEDAR	Spanish Cedar
1	H	HICKORY	American Hickory
1	JT	JATOBA	Brazilian Jatoba
1	MK	MAKORE	African Cherry
1	MA	MAPLE	American Soft Maple
1	O	OAK	American White Oak
1	P	POPLAR	American Poplar (Paint Wood)
2	C	CHERRY	American Cherry
2	M	MAHOGANY	Honduran Mahogany
2	T	TEAK	Asian Teak
2	W	WALNUT	American Walnut

Please continue on the next page with steps 3, 4, 5 and 6. Steps 3 and 4 are probably the most important steps as this is where you will specify the dimensions of the grille. The order of the dimensions is particularly important as that will determine the direction of the vanes.

Step 3. Specify the horizontal dimension of the grille cutout.

Step 4. Specify the vertical dimension of the grille cutout.

In order for us to build the grille you want correctly, you need to specify the horizontal dimension first. As you review the different models you will see the correlation of dimensions to blade direction.



Step 5. Add any options listed below.

**A. Face Options** (Please note face dimension drawing below)

- F1** 1-1/8" wide face
- F2** 7/8" wide face (default face, no need to specify)
- F3** 1/2" wide face (grille cut-out dimensions are critical)
- F4** Non-faced (use for custom built-in applications)

**B. Other Options**

- DF** Delete standard filter
- RC** Round grille corners (F1 and F2 face only)
- WB** Replace bronze blades with white
- KB** Replace bronze blades with black
- BB** Replace white blades with bronze

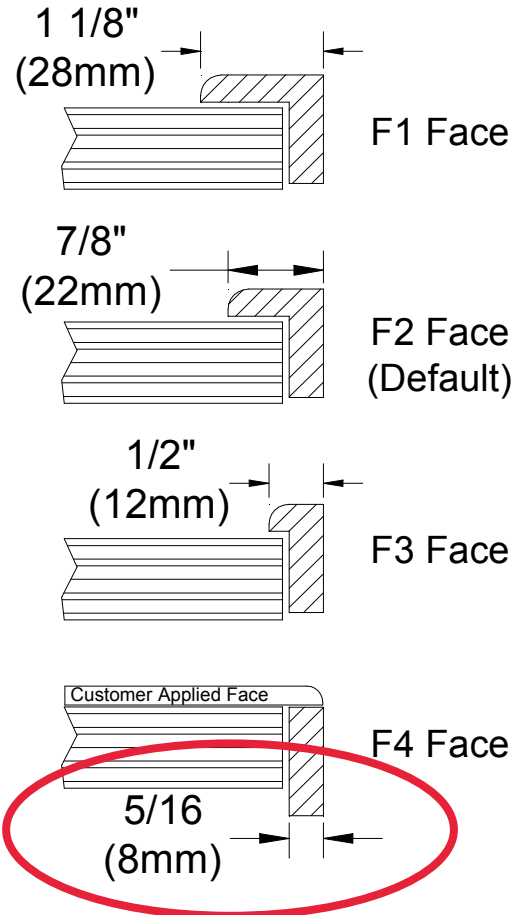
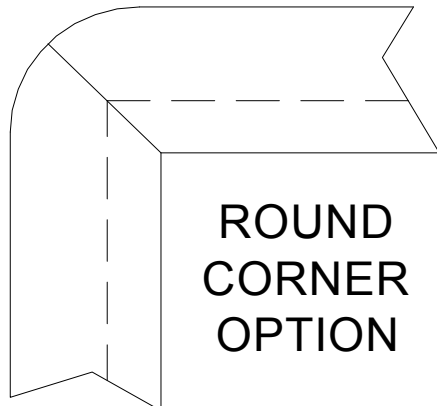
Step 6. Add any finishing options. Other colors are available.

**Standard Painting Options**

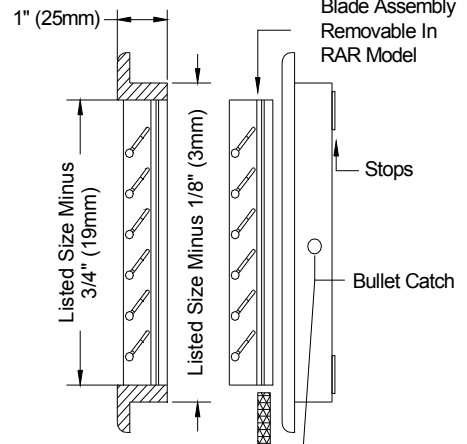
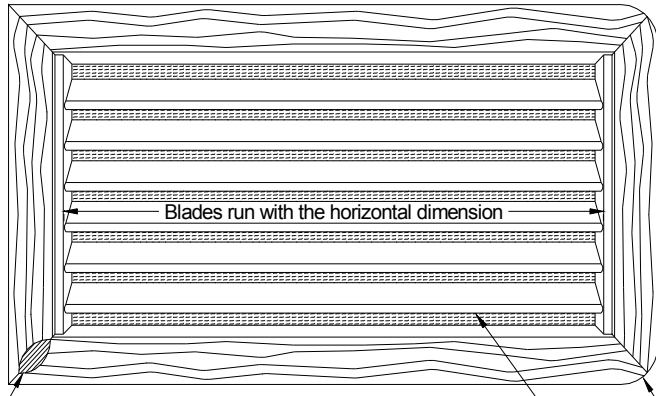
Paint Colors	Gloss Codes	Flat Codes
Prime Only	<b>K</b>	<b>N/A</b>
White	<b>M1</b>	<b>M1F</b>
Antique White	<b>M2</b>	<b>M2F</b>
Cream	<b>M3</b>	<b>M3F</b>
Black	<b>M7</b>	<b>M7F</b>

**Stain & Varnish Options**

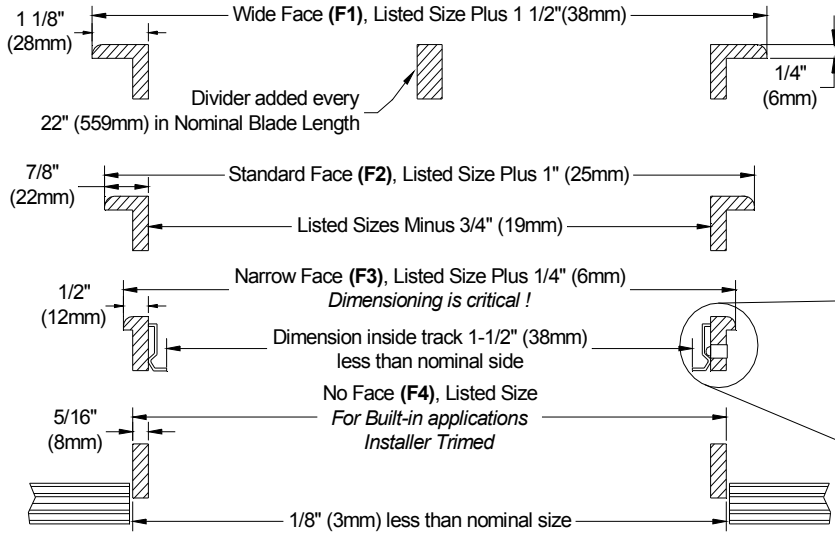
Finish	Codes
Satin Varnish	<b>SP</b>
Gloss Varnish	<b>GP</b>
Stain & Satin Varnish	<b>SSP</b>
Stain & Gloss Varnish	<b>SGP</b>



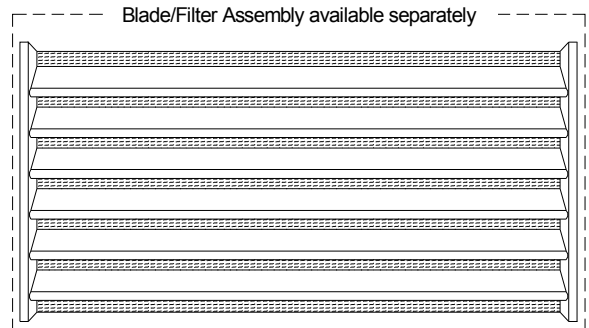
# RA & RAR Return Air



## FACE STYLES



Our track has been designed to provide a ramp for the "bullet" catches in our RAR model.



## Optional Round Corners

## RETURN AIR GRILLE, FIXED INSERT

(Teak Codes shown, blade size in **bold**)

To Specify another Species Change Species Code and Name in Description

(I.e. RAM7X7, **Mahogany** Return Air Grille, 7 x 7)

(Our most common sizes listed below, many others available)

ITEM CODE	DESCRIPTION
RAT7X7	Teak Return Air Grille, <b>7</b> x 7
RAT8X8	Teak Return Air Grille, <b>8</b> x 8
RAT8X10	Teak Return Air Grille, <b>8</b> x 10
RAT10X6	Teak Return Air Grille, <b>10</b> x 6
RAT10X8	Teak Return Air Grille, <b>10</b> x 8
RAT10X10	Teak Return Air Grille, <b>10</b> x 10
RAT10X12	Teak Return Air Grille, <b>10</b> x 12
RAT10X14	Teak Return Air Grille, <b>10</b> x 14
RAT11X8	Teak Return Air Grille, <b>11</b> x 8
RAT12X6	Teak Return Air Grille, <b>12</b> x 6
RAT12X10	Teak Return Air Grille, <b>12</b> x 10
RAT12X12	Teak Return Air Grille, <b>12</b> x 12
RAT12X14	Teak Return Air Grille, <b>12</b> x 14
RAT14X6	Teak Return Air Grille, <b>14</b> x 6
RAT14X7	Teak Return Air Grille, <b>14</b> x 7
RAT14X10	Teak Return Air Grille, <b>14</b> x 10
RAT14X12	Teak Return Air Grille, <b>14</b> x 12
RAT16X6	Teak Return Air Grille, <b>16</b> x 6
RAT16X8	Teak Return Air Grille, <b>16</b> x 8



## EZ RETURN AIR GRILLE, EZ ACCESS INSERT

(Teak Codes shown, blade size in **bold**)

To Specify Another Species Change Species Code and Name in Description

(I.e. RARM7X7, **Mahogany** EZ Return Air Grille, 7 x 7)

(Our most common sizes listed below, many others available)

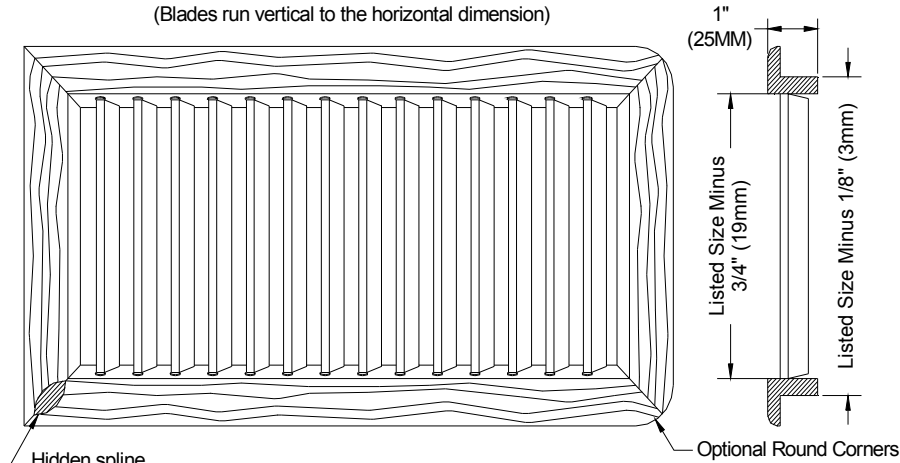
ITEM CODE	DESCRIPTION
RART7X7	Teak EZ Return Air Grille, <b>7</b> x 7
RART8X8	Teak EZ Return Air Grille, <b>8</b> x 8
RART8X10	Teak EZ Return Air Grille, <b>8</b> x 10
RART10X6	Teak EZ Return Air Grille, <b>10</b> x 6
RART10X8	Teak EZ Return Air Grille, <b>10</b> x 8
RART10X10	Teak EZ Return Air Grille, <b>10</b> x 10
RART10X12	Teak EZ Return Air Grille, <b>10</b> x 12
RART10X14	Teak EZ Return Air Grille, <b>10</b> x 14
RART11X8	Teak EZ Return Air Grille, <b>11</b> x 8
RART12X6	Teak EZ Return Air Grille, <b>12</b> x 6
RART12X10	Teak EZ Return Air Grille, <b>12</b> x 10
RART12X12	Teak EZ Return Air Grille, <b>12</b> x 12
RART12X14	Teak EZ Return Air Grille, <b>12</b> x 14
RART14X6	Teak EZ Return Air Grille, <b>14</b> x 6
RART14X7	Teak EZ Return Air Grille, <b>14</b> x 7
RART14X10	Teak EZ Return Air Grille, <b>14</b> x 10
RART14X12	Teak EZ Return Air Grille, <b>14</b> x 12



# V or H, 2-Way Supply

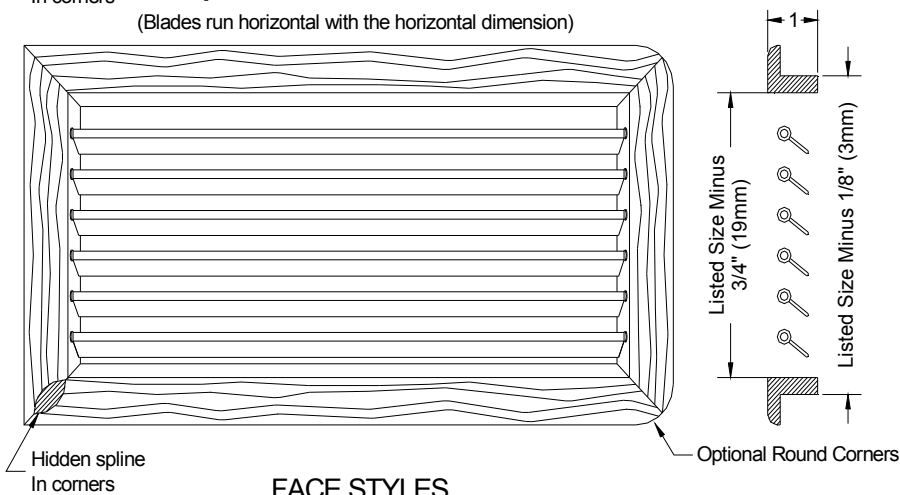
## Representative of a Model "V"

(Blades run vertical to the horizontal dimension)



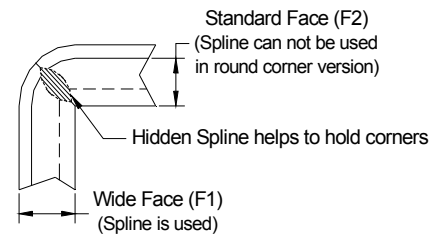
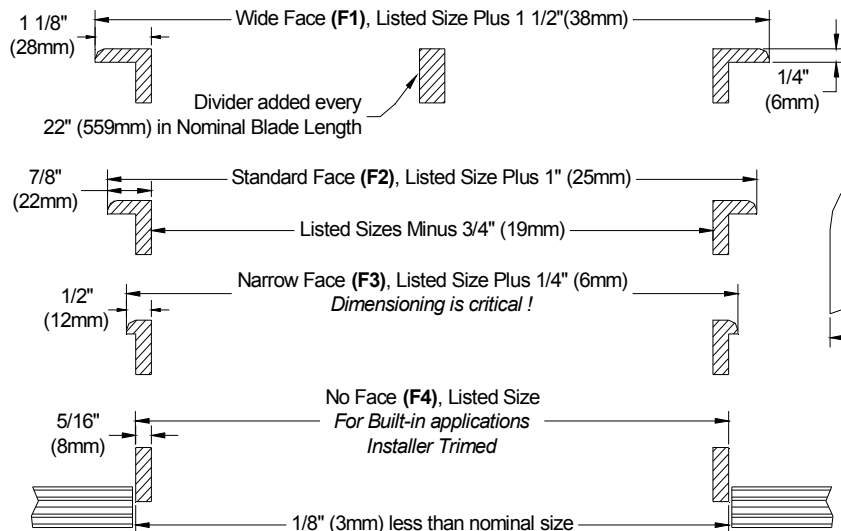
## Representative of a Model "H"

(Blades run horizontal with the horizontal dimension)



If you make this side horizontal you now have A Model "H" A Model "V"

## FACE STYLES



Optional Round Corners

## SUPPLY GRILLE, 2 WAY

(Teak Codes shown, blade size in **bold**)

To Specify Another Species Change Species Code and Name in Description  
(I.e. **VM4X4, Mahogany** 2 Way Supply Grille, 4x4)

(Our most common sizes listed, many others available)

ITEM CODE	DESCRIPTION
VT4X4	Teak 2 Way Supply Grille, 4x <b>4</b>
VT6X4	Teak 2 Way Supply Grille, 6x <b>4</b>
VT8X4	Teak 2 Way Supply Grille, 8x <b>4</b>
VT10X4	Teak 2 Way Supply Grille, 10x <b>4</b>
VT12X4	Teak 2 Way Supply Grille, 12x <b>4</b>
VT14X4	Teak 2 Way Supply Grille, 14x <b>4</b>
VT16X4	Teak 2 Way Supply Grille, 16x <b>4</b>
VT20X4	Teak 2 Way Supply Grille, 20x <b>4</b>
VT10X5	Teak 2 Way Supply Grille, 10x <b>5</b>
VT12X5	Teak 2 Way Supply Grille, 12x <b>5</b>
VT14X5	Teak 2 Way Supply Grille, 14x <b>5</b>
VT6X6	Teak 2 Way Supply Grille, 6x <b>6</b>
VT8X6	Teak 2 Way Supply Grille, 8x <b>6</b>
VT10X6	Teak 2 Way Supply Grille, 10x <b>6</b>
VT12X6	Teak 2 Way Supply Grille, 12x <b>6</b>
VT14X6	Teak 2 Way Supply Grille, 14x <b>6</b>
VT7X7	Teak 2 Way Supply Grille, 7x <b>7</b>
VT4X8	Teak 2 Way Supply Grille, 4x <b>8</b>
VT8X8	Teak 2 Way Supply Grille, 8x <b>8</b>
VT10X8	Teak 2 Way Supply Grille, 10x <b>8</b>

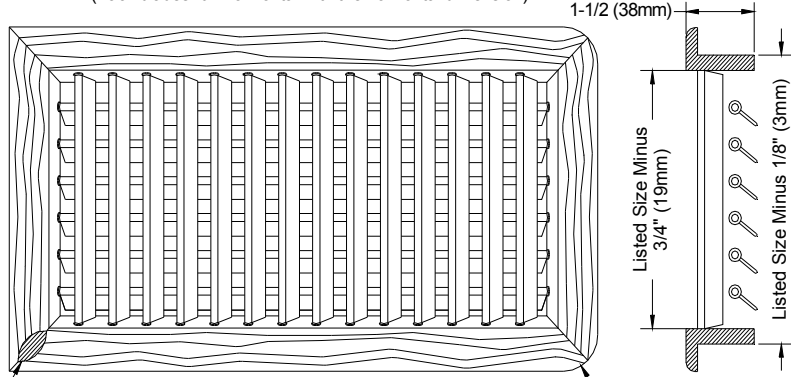
*Did you know?* The V grille is the same depth as the RA and RAR grilles. Use this grille when you are short on depth.



# VH or HV, 4-Way Supply

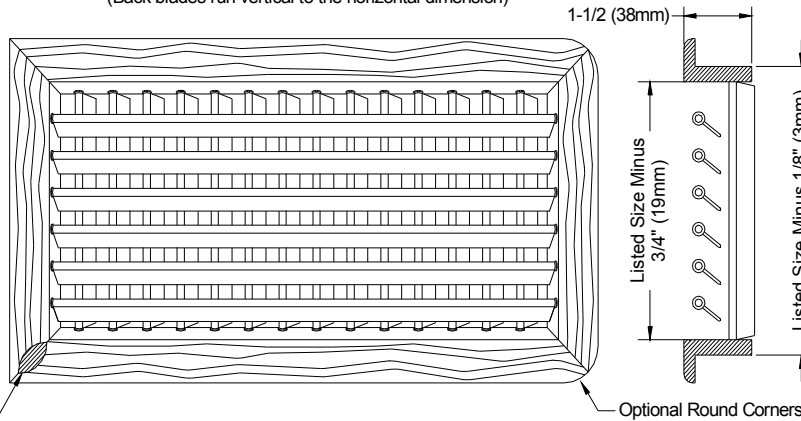
## Representation of a Model VH

(Front blades run vertical to the horizontal dimension)  
 (Back blades run horizontal with the horizontal dimension)



## Representation of a Model HV

(Front blades run horizontal with the horizontal dimension)  
 (Back blades run vertical to the horizontal dimension)



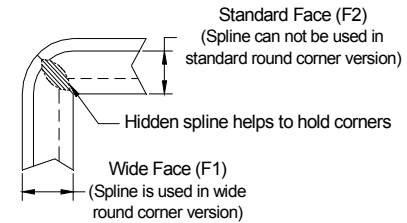
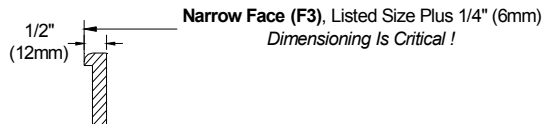
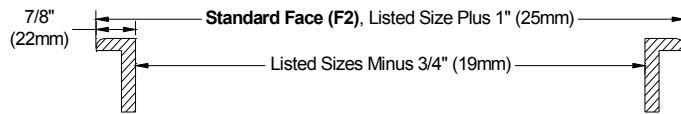
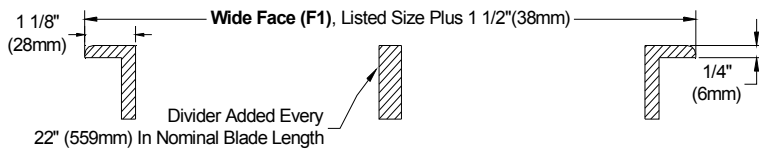
Hidden spline  
in corners

Optional Round Corners

Hidden spline  
in corners

Optional Round Corners

## FACE STYLES



## Optional Round Corners

If you make this side horizontal you now have  
 A Model HV  
 A Model VH



## TEAK SUPPLY GRILLE, 4 WAY

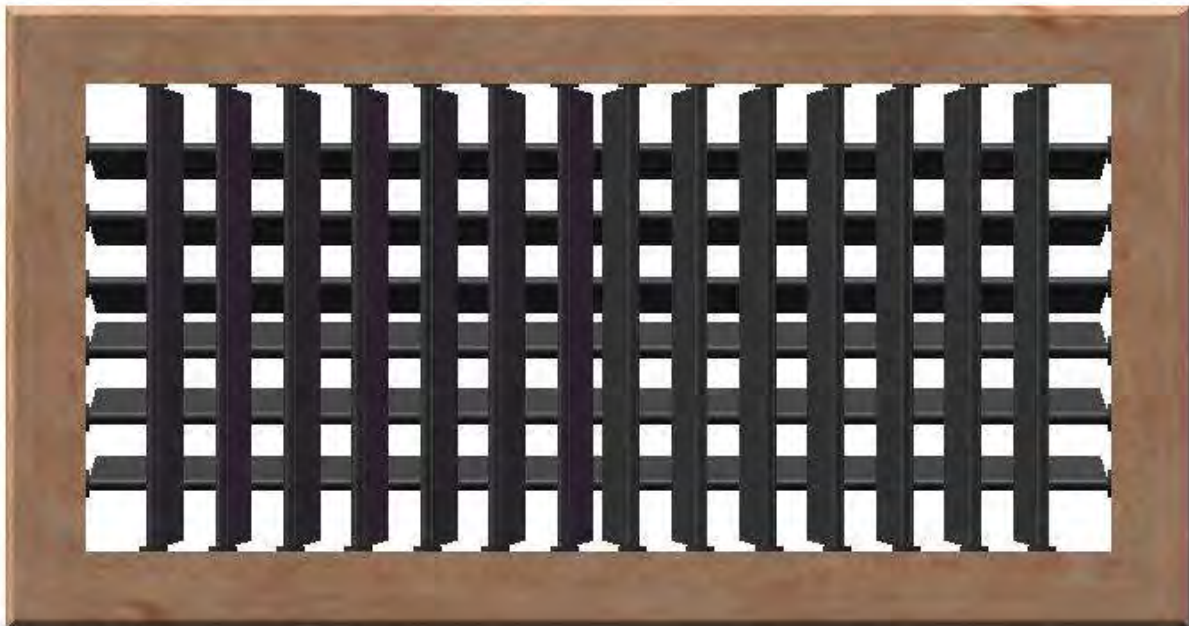
(Our most common sizes, many others available)

(Teak Codes shown, blade size in **bold**)

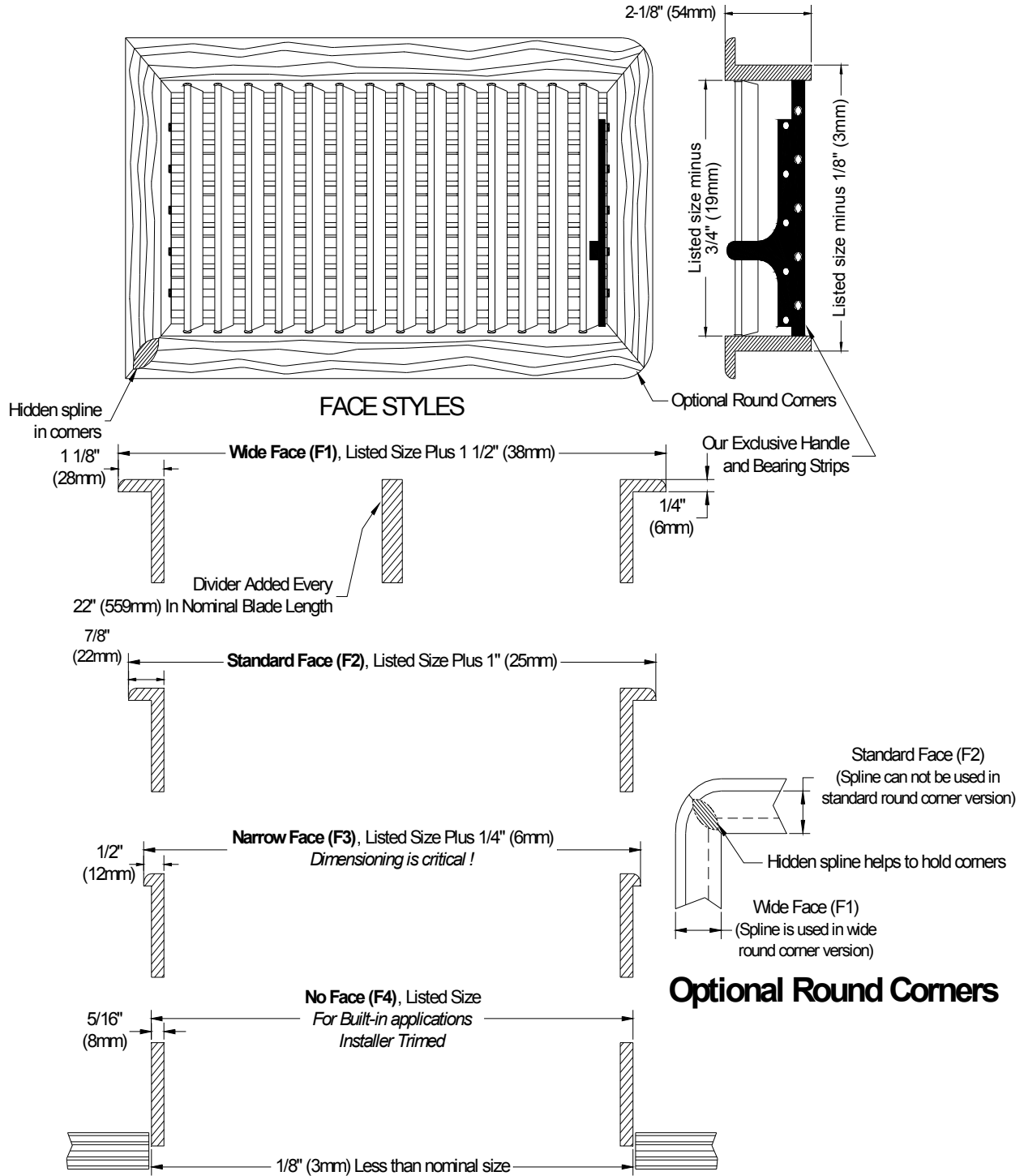
To Specify Another Species Change Species Code and Name in Description  
(I.e. VHM4X4, **Mahogany** 4 Way Supply Grille, 4x4)

ITEM CODE	DESCRIPTION
VHT4X4	Teak 4 Way Supply Grille, 4x <b>4</b>
VHT6X4	Teak 4 Way Supply Grille, 6x <b>4</b>
VHT8X4	Teak 4 Way Supply Grille, 8x <b>4</b>
VHT10X4	Teak 4 Way Supply Grille, 10x <b>4</b>
VHT12X4	Teak 4 Way Supply Grille, 12x <b>4</b>
VHT14X4	Teak 4 Way Supply Grille, 14x <b>4</b>
VHT16X4	Teak 4 Way Supply Grille, 16x <b>4</b>
VHT20X4	Teak 4 Way Supply Grille, 20x <b>4</b>
VHT10X5	Teak 4 Way Supply Grille, 10x <b>5</b>
VHT12X5	Teak 4 Way Supply Grille, 12x <b>5</b>
VHT14X5	Teak 4 Way Supply Grille, 14x <b>5</b>
VHT6X6	Teak 4 Way Supply Grille, 6x <b>6</b>
VHT8X6	Teak 4 Way Supply Grille, 8x <b>6</b>
VHT10X6	Teak 4 Way Supply Grille, 10x <b>6</b>
VHT12X6	Teak 4 Way Supply Grille, 12x <b>6</b>
VHT14X6	Teak 4 Way Supply Grille, 14x <b>6</b>
VHT7X7	Teak 4 Way Supply Grille, 7x <b>7</b>
VHT4X8	Teak 4 Way Supply Grille, 4x <b>8</b>
VHT8X8	Teak 4 Way Supply Grille, 8x <b>8</b>
VHT10X8	Teak 4 Way Supply Grille, 10x <b>8</b>

*Did you know?* The last blade that the air hits does the most amount of work. Keep that in mind when you are designing your air control system.



# VML, 2-Way Supply W/Damper



## SUPPLY GRILLE, 2 WAY W/DAMPER

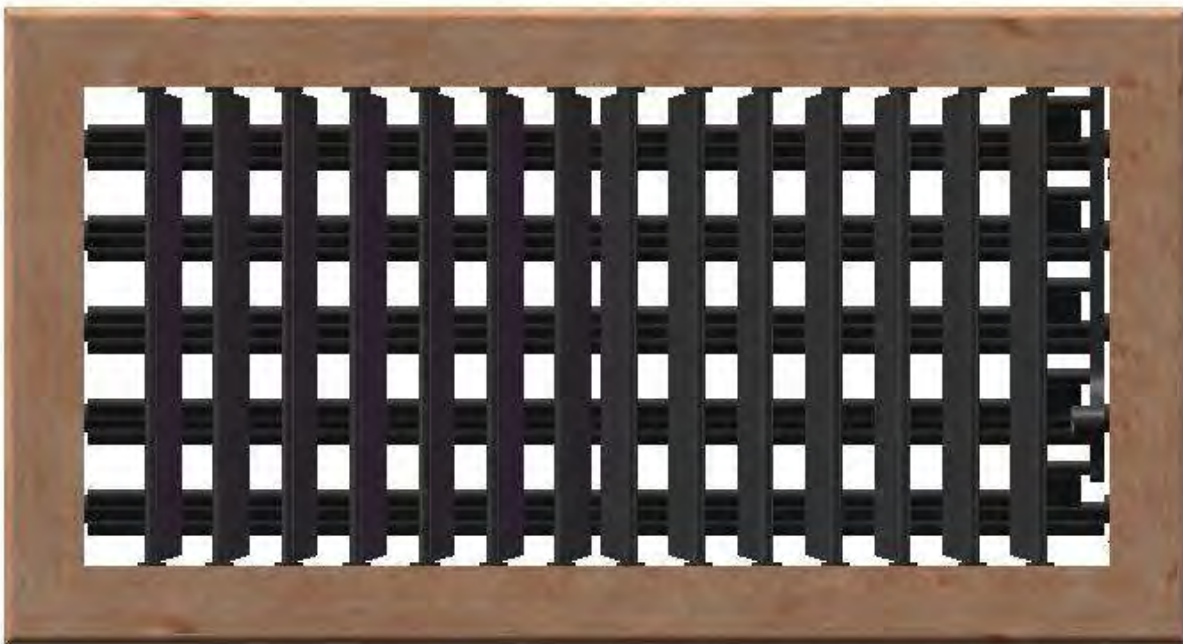
(Our most common sizes, many others available)

(Teak Codes shown, front blade size in **bold**)

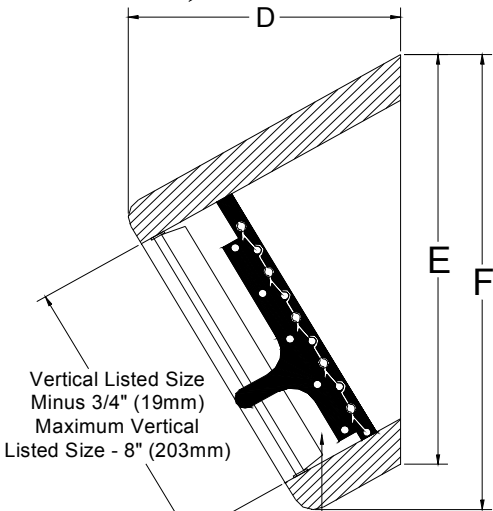
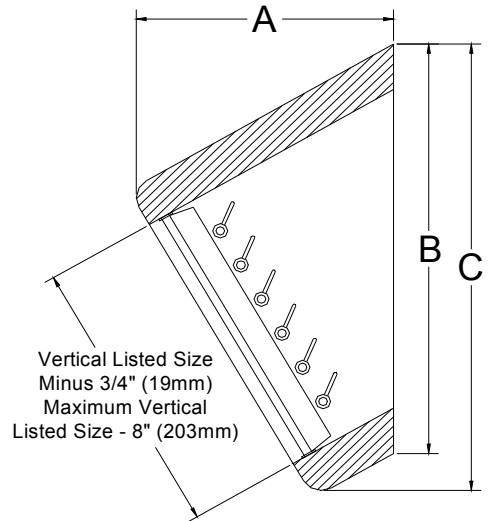
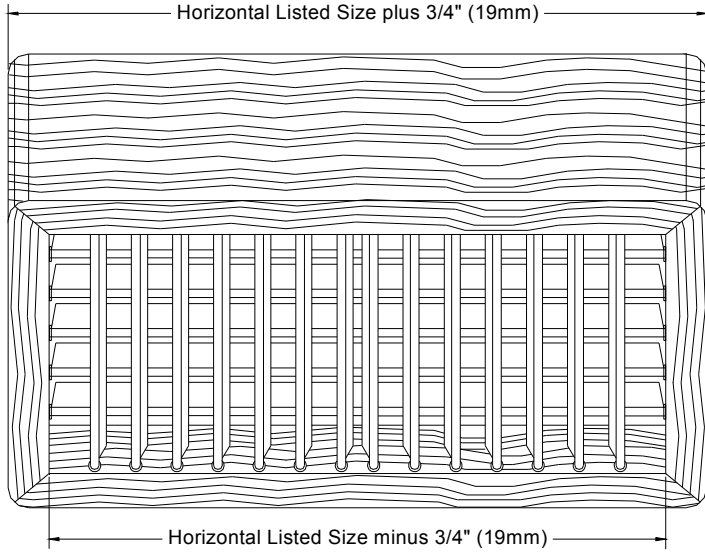
To Specify Another Species Change Species Code and Name in Description  
(I.e. VMLM6X3, **Mahogany** 2 Way Supply w/Damper, 6x3)

ITEM CODE	DESCRIPTION
VMLT6X3	Teak 2 Way Supply Grille w/ Damper, 6x <b>3</b>
VMLT15X3	Teak 2 Way Supply Grille w/ Damper, 15x <b>3</b>
VMLT4X4	Teak 2 Way Supply Grille w/ Damper, 4x <b>4</b>
VMLT6X4	Teak 2 Way Supply Grille w/ Damper, 6x <b>4</b>
VMLT8X4	Teak 2 Way Supply Grille w/ Damper, 8x <b>4</b>
VMLT10X4	Teak 2 Way Supply Grille w/ Damper, 10x <b>4</b>
VMLT10X5	Teak 2 Way Supply Grille w/ Damper, 10x <b>5</b>
VMLT12X5	Teak 2 Way Supply Grille w/ Damper, 12x <b>5</b>
VMLT6X6	Teak 2 Way Supply Grille w/ Damper, 6x <b>6</b>
VMLT8X6	Teak 2 Way Supply Grille w/ Damper, 8x <b>6</b>
VMLT10X6	Teak 2 Way Supply Grille w/ Damper, 10x <b>6</b>
VMLT12X6	Teak 2 Way Supply Grille w/ Damper, 12x <b>6</b>
VMLT14X6	Teak 2 Way Supply Grille w/ Damper, 14x <b>6</b>
VMLT4X8	Teak 2 Way Supply Grille w/ Damper, 4x <b>8</b>
VMLT8X8	Teak 2 Way Supply Grille w/ Damper, 8x <b>8</b>
VMLT10X8	Teak 2 Way Supply Grille w/ Damper, 10x <b>8</b>
VMLT8X10	Teak 2 Way Supply Grille w/ Damper, 8x <b>10</b>

*Did you know?* You can order these grilles in fraction sizes but please note that if the second number is a fraction there will be a space on either side of the damper blades when fully closed.



## WG - 30 Degree 4 Way Supply Wedge WGML - 30 Degree 2 Way Supply Wedge W/Damper



**The WGML Uses Our Exclusive Handle and Bearing Strips**

### Wedge Dimensions for Nominal Listed Depth (Varies Some)

NOM	A	B	C	D	E	F
4	3-5/8	5-1/2	6-1/8	4-1/2	5-1/2	6-1/2
5	4-1/8	6-5/8	7-1/4	4-3/4	6-5/8	7-3/4
6	4-5/8	7-3/4	8-3/8	5-3/8	7-3/4	9
7	5-1/8	9	9-3/4	6	9	10-1/4
8	5-5/8	10-1/8	10-3/4	7-5/8	10-1/8	11-1/2

**WG - 30 DEGREE 4 Way Supply Wedge**  
**WGML – 30 Degree 2 Way W/Damper Supply Wedge**

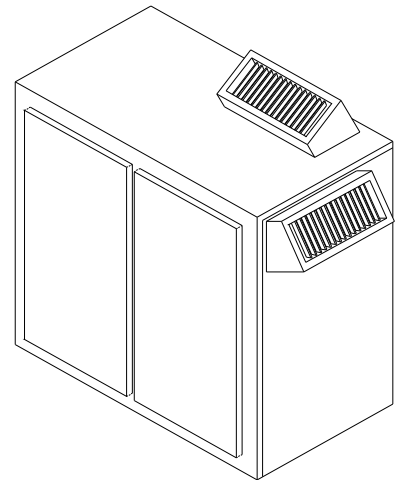
(Our most common sizes, others available)

(Teak Codes shown, front blade size in **bold**)

To Specify Another Species Change Species Code and Name in Description  
 (I.e. WGM4X4, **Mahogany** Wedge Supply Grille, 4x4)

<b>ITEM CODE</b>	<b>DESCRIPTION (WG)</b>
WGT4X4	Teak Wedge Supply Grille, <b>4x4</b>
WGT6X4	Teak Wedge Supply Grille, <b>6x4</b>
WGT8X4	Teak Wedge Supply Grille, <b>8x4</b>
WGT10X4	Teak Wedge Supply Grille, <b>10x4</b>
WGT12X4	Teak Wedge Supply Grille, <b>12x4</b>
WGT8X5	Teak Wedge Supply Grille, <b>8x5</b>
WGT10X5	Teak Wedge Supply Grille, <b>10x5</b>
WGT12X5	Teak Wedge Supply Grille, <b>12x5</b>
WGT14X5	Teak Wedge Supply Grille, <b>14x5</b>
WGT8X6	Teak Wedge Supply Grille, <b>8x6</b>
WGT10X6	Teak Wedge Supply Grille, <b>10x6</b>
WGT12X6	Teak Wedge Supply Grille, <b>12x6</b>
WGT7X7	Teak Wedge Supply Grille, <b>7x7</b>
WGT10X7	Teak Wedge Supply Grille, <b>10x7</b>

<b>ITEM CODE</b>	<b>DESCRIPTION (WGML)</b>
WGMLT4X4	Teak Damper Wedge Supply Grille, <b>4x4</b>
WGMLT6X4	Teak Damper Wedge Supply Grille, <b>6x4</b>
WGMLT8X4	Teak Damper Wedge Supply Grille, <b>8x4</b>
WGMLT10X4	Teak Damper Wedge Supply Grille, <b>10x4</b>
WGMLT12X4	Teak Damper Wedge Supply Grille, <b>12x4</b>
WGMLT8X5	Teak Damper Wedge Supply Grille, <b>8x5</b>
WGMLT10X5	Teak Damper Wedge Supply Grille, <b>10x5</b>
WGMLT12X5	Teak Damper Wedge Supply Grille, <b>12x5</b>
WGMLT14X5	Teak Damper Wedge Supply Grille, <b>14x5</b>
WGMLT8X6	Teak Damper Wedge Supply Grille, <b>8x6</b>
WGMLT10X6	Teak Damper Wedge Supply Grille, <b>10x6</b>
WGMLT12X6	Teak Damper Wedge Supply Grille, <b>12x6</b>
WGMLT7X7	Teak Damper Wedge Supply Grille, <b>7x7</b>
WGMLT10X7	Teak Damper Wedge Supply Grille, <b>10x7</b>



*Did you know? You can install wedges on horizontal or vertical surfaces to solve difficult airflow problems.*

**WG Wedge Supply Grille**

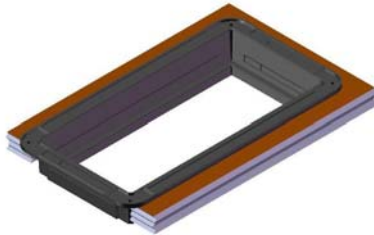
**WGML Wedge Supply Grille**



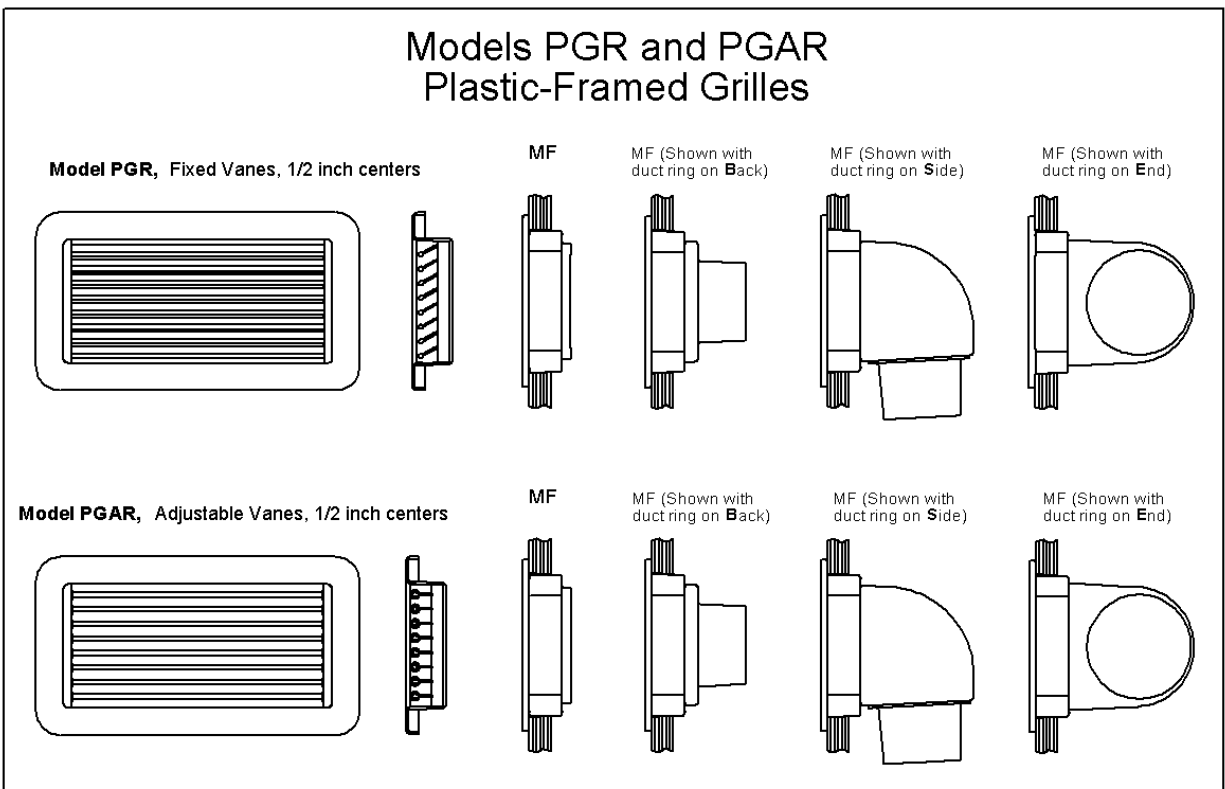
# Plastic-Framed Grilles

## Product Overview

Our plastic-framed grille offers the HVAC industry a unique and functional product. The grille is constructed standard with a smooth white UV ABS vacuum-formed frame and white baked-on mill-painted aluminum blades. The blades are installed as fixed (PG) or adjustable (PGA) into an ABS plastic track. An optional black haircel ABS with black baked-on mill-painted blades is available (insert the code letters BK after the grille size to any of the product codes). Custom paint colors are also available at additional costs.



Installed into the sides of the grille are stainless steel spring catches. They secure the blade/track assembly inside the grille frame but their primary purpose is more functional. They hold the grille into what we call a mounting frame. This mounting frame (MF) is constructed of four injection-molded corners and four pieces of extruded sides glued together. It is mounted from the finished side of the wall and then the grille is “snapped” into it. Grille removal is just as easy.



## Model PGR

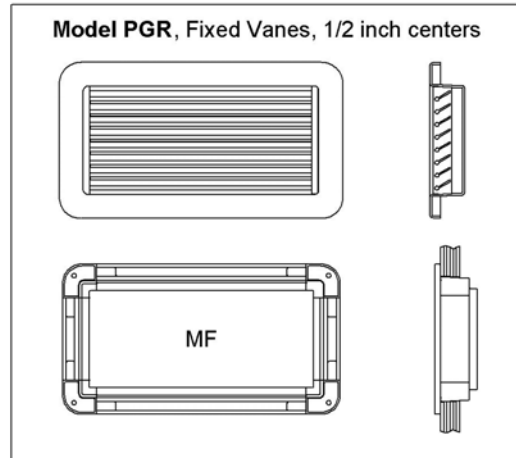
Unit includes grille and mounting frame (some w/ rings)

**Application: Return (Unfiltered) or Supply Air (Fixed Blades)**

(Fixed 30 Degree Blade size in **bold**)

Insert "**BK**" after grille size for black haircel finish  
(i.e. PG4X4**BKR**)

(Not all items shown are stocked, call us if you do not see what you need. We may be able to build it.)



### ITEM CODE

### DESCRIPTION

PG4X4R	PG Grille White w/Mounting Frame, <b>4x4</b>
PG4X4R-3B	PG Grille White w/Mounting Frame, <b>4x4</b> , 3" Ring Back
PG4X4R-3S	PG Grille White w/Mounting Frame, <b>4x4</b> , 3" Ring Side
PG4X6R	PG Grille White w/Mounting Frame, <b>4x6</b>
PG4X8R	PG Grille White w/Mounting Frame, <b>4x8</b>
PG4X8R-4B	PG Grille White w/Mounting Frame, <b>4x8</b> , 4" Ring Back
PG4X8R-5B	PG Grille White w/Mounting Frame, <b>4x8</b> , 5" Ring Back
PG4X8R-4S	PG Grille White w/Mounting Frame, <b>4x8</b> , 4" Ring Side
PG4X8R-5S	PG Grille White w/Mounting Frame, <b>4x8</b> , 5" Ring Side
PG4X10R	PG Grille White w/Mounting Frame, <b>4x10</b>
PG4X10R-4B	PG Grille White w/Mounting Frame, <b>4x10</b> , 4" Ring Back
PG4X10R-5B	PG Grille White w/Mounting Frame, <b>4x10</b> , 5" Ring Back
PG4X10R-4S	PG Grille White w/Mounting Frame, <b>4x10</b> , 4" Ring Side
PG4X10R-5S	PG Grille White w/Mounting Frame, <b>4x10</b> , 5" Ring Side
PG4X12R	PG Grille White w/Mounting Frame, <b>4x12</b>
PG4X12R-4B	PG Grille White w/Mounting Frame, <b>4x12</b> , 4" Ring Back
PG4X12R-5B	PG Grille White w/Mounting Frame, <b>4x12</b> , 5" Ring Back
PG4X12R-4S	PG Grille White w/Mounting Frame, <b>4x12</b> , 4" Ring Side
PG4X12R-5S	PG Grille White w/Mounting Frame, <b>4x12</b> , 5" Ring Side
PG4X16R	PG Grille White w/Mounting Frame, <b>4x16</b>
PG4X20R	PG Grille White w/Mounting Frame, <b>4x20</b>
PG4X20R-4S	PG Grille White w/Mounting Frame, <b>4x20</b> , 4" Ring Side
PG4X20R-5S	PG Grille White w/Mounting Frame, <b>4x20</b> , 5" Ring Side
PG4X20R-6S	PG Grille White w/Mounting Frame, <b>4x20</b> , 6" Ring Side
PG5X5R	PG Grille White w/Mounting Frame, <b>5x5</b>
PG5X5R-3B	PG Grille White w/Mounting Frame, <b>5x5</b> , 3" Ring Back
PG5X5R-4B	PG Grille White w/Mounting Frame, <b>5x5</b> , 4" Ring Back
PG5X5R-3S	PG Grille White w/Mounting Frame, <b>5x5</b> , 3" Ring Side
PG5X5R-4S	PG Grille White w/Mounting Frame, <b>5x5</b> , 4" Ring Side
PG5X10R	PG Grille White w/Mounting Frame, <b>5x10</b>
PG5X10R-4B	PG Grille White w/Mounting Frame, <b>5x10</b> , 4" Ring Back
PG5X10R-5B	PG Grille White w/Mounting Frame, <b>5x10</b> , 5" Ring Back
PG5X10R-6B	PG Grille White w/Mounting Frame, <b>5x10</b> , 6" Ring Back
PG5X10R-4S	PG Grille White w/Mounting Frame, <b>5x10</b> , 4" Ring Side
PG5X10R-5S	PG Grille White w/Mounting Frame, <b>5x10</b> , 5" Ring Side
PG5X10R-6S	PG Grille White w/Mounting Frame, <b>5x10</b> , 6" Ring Side
PG5X12R	PG Grille White w/Mounting Frame, <b>5x12</b>
PG5X12R-4B	PG Grille White w/Mounting Frame, <b>5x12</b> , 4" Ring Back

PG5X12R-5B	PG Grille White w/Mounting Frame, 5x12, 5" Ring Back
PG5X12R-6B	PG Grille White w/Mounting Frame, 5x12, 6" Ring Back
PG5X12R-4S	PG Grille White w/Mounting Frame, 5x12, 4" Ring Side
PG5X12R-5S	PG Grille White w/Mounting Frame, 5x12, 5" Ring Side
PG5X12R-6S	PG Grille White w/Mounting Frame, 5x12, 6" Ring Side
PG6X4R	PG Grille White w/Mounting Frame, 6x4
PG6X6R	PG Grille White w/Mounting Frame, 6x6
PG6X6R-4B	PG Grille White w/Mounting Frame, 6x6, 4" Ring Back
PG6X6R-5B	PG Grille White w/Mounting Frame, 6x6, 5" Ring Back
PG6X6R-4S	PG Grille White w/Mounting Frame, 6x6, 4" Ring Side
PG6X6R-5S	PG Grille White w/Mounting Frame, 6x6, 5" Ring Side
PG6X10R	PG Grille White w/Mounting Frame, 6x10
PG6X10R-4B	PG Grille White w/Mounting Frame, 6x10, 4" Ring Back
PG6X10R-5B	PG Grille White w/Mounting Frame, 6x10, 5" Ring Back
PG6X10R-6B	PG Grille White w/Mounting Frame, 6x10, 6" Ring Back
PG6X10R-4S	PG Grille White w/Mounting Frame, 6x10, 4" Ring Side
PG6X10R-5S	PG Grille White w/Mounting Frame, 6x10, 5" Ring Side
PG6X10R-6S	PG Grille White w/Mounting Frame, 6x10, 6" Ring Side
PG6X12R	PG Grille White w/Mounting Frame, 6x12
PG6X12R-4B	PG Grille White w/Mounting Frame, 6x12, 4" Ring Back
PG6X12R-5B	PG Grille White w/Mounting Frame, 6x12, 5" Ring Back
PG6X12R-6B	PG Grille White w/Mounting Frame, 6x12, 6" Ring Back
PG6X12R-7B	PG Grille White w/Mounting Frame, 6x12, 7" Ring Back
PG8X4R	PG Grille White w/Mounting Frame, 8x4
PG8X4R-4B	PG Grille White w/Mounting Frame, 8x4, 4" Ring Back
PG8X4R-5B	PG Grille White w/Mounting Frame, 8x4, 5" Ring Back
PG8X4R-4S	PG Grille White w/Mounting Frame, 8x4, 4" Ring Side
PG8X4R-5S	PG Grille White w/Mounting Frame, 8x4, 5" Ring Side
PG8X8R	PG Grille White w/Mounting Frame, 8x8
PG8X10R	PG Grille White w/Mounting Frame, 8x10
PG8X10R-5B	PG Grille White w/Mounting Frame, 8x10, 5" Ring Back
PG8X10R-6B	PG Grille White w/Mounting Frame, 8x10, 6" Ring Back
PG8X10R-7B	PG Grille White w/Mounting Frame, 8x10, 7" Ring Back
PG8X16R	PG Grille White w/Mounting Frame, 8x16
PG10X4R	PG Grille White w/Mounting Frame, 10x4
PG10X4R-4B	PG Grille White w/Mounting Frame, 10x4, 4" Ring Back
PG10X4R-5B	PG Grille White w/Mounting Frame, 10x4, 5" Ring Back
PG10X4R-4S	PG Grille White w/Mounting Frame, 10x4, 4" Ring Side
PG10X4R-5S	PG Grille White w/Mounting Frame, 10x4, 5" Ring Side
PG10X5R	PG Grille White w/Mounting Frame, 10x5
PG10X5R-4B	PG Grille White w/Mounting Frame, 10x5, 4" Ring Back
PG10X5R-5B	PG Grille White w/Mounting Frame, 10x5, 5" Ring Back
PG10X5R-6B	PG Grille White w/Mounting Frame, 10x5, 6" Ring Back
PG10X5R-4S	PG Grille White w/Mounting Frame, 10x5, 4" Ring Side
PG10X5R-5S	PG Grille White w/Mounting Frame, 10x5, 5" Ring Side
PG10X5R-6S	PG Grille White w/Mounting Frame, 10x5, 6" Ring Side
PG10X6R	PG Grille White w/Mounting Frame, 10x6
PG10X6R-5B	PG Grille White w/Mounting Frame, 10x6, 5" Ring Back
PG10X6R-6B	PG Grille White w/Mounting Frame, 10x6, 6" Ring Back
PG10X6R-5S	PG Grille White w/Mounting Frame, 10x6, 5" Ring Side
PG10X6R-6S	PG Grille White w/Mounting Frame, 10x6, 6" Ring Side
PG10X8R	PG Grille White w/Mounting Frame, 10x8
PG10X8R-5B	PG Grille White w/Mounting Frame, 10x8, 5" Ring Back
PG10X8R-6B	PG Grille White w/Mounting Frame, 10x8, 6" Ring Back
PG10X8R-7B	PG Grille White w/Mounting Frame, 10x8, 7" Ring Back



PG10X10R	PG Grille White w/Mounting Frame, <b>10x10</b>
PG10X14R	PG Grille White w/Mounting Frame, <b>10x14</b>
PG12X4R	PG Grille White w/Mounting Frame, <b>12x4</b>
PG12X4R-4B	PG Grille White w/Mounting Frame, <b>12x4</b> , 4" Ring Back
PG12X4R-5B	PG Grille White w/Mounting Frame, <b>12x4</b> , 5" Ring Back
PG12X4R-4S	PG Grille White w/Mounting Frame, <b>12x4</b> , 4" Ring Side
PG12X4R-5S	PG Grille White w/Mounting Frame, <b>12x4</b> , 5" Ring Side
PG12X5R	PG Grille White w/Mounting Frame, <b>12x5</b>
PG12X5R-4B	PG Grille White w/Mounting Frame, <b>12x5</b> , 4" Ring Back
PG12X5R-5B	PG Grille White w/Mounting Frame, <b>12x5</b> , 5" Ring Back
PG12X5R-6B	PG Grille White w/Mounting Frame, <b>12x5</b> , 6" Ring Back
PG12X5R-4S	PG Grille White w/Mounting Frame, <b>12x5</b> , 4" Ring Side
PG12X5R-5S	PG Grille White w/Mounting Frame, <b>12x5</b> , 5" Ring Side
PG12X5R-6S	PG Grille White w/Mounting Frame, <b>12x5</b> , 6" Ring Side
PG12X6R	PG Grille White w/Mounting Frame, <b>12x6</b>
PG12X6R-4B	PG Grille White w/Mounting Frame, <b>12x6</b> , 4" Ring Back
PG12X6R-5B	PG Grille White w/Mounting Frame, <b>12x6</b> , 5" Ring Back
PG12X6R-6B	PG Grille White w/Mounting Frame, <b>12x6</b> , 6" Ring Back
PG12X6R-7B	PG Grille White w/Mounting Frame, <b>12x6</b> , 7" Ring Back
PG12X12R	PG Grille White w/Mounting Frame, <b>12x12</b>
PG12X14R	PG Grille White w/Mounting Frame, <b>12x14</b>
PG14X10R	PG Grille White w/Mounting Frame, <b>14x10</b>
PG14X12R	PG Grille White w/Mounting Frame, <b>14x12</b>
PG16X4R	PG Grille White w/Mounting Frame, <b>16x4</b>
PG16X8R	PG Grille White w/Mounting Frame, <b>16x8</b>
PG20X4R	PG Grille White w/Mounting Frame, <b>20x4</b>
PG20X4R-4S	PG Grille White w/Mounting Frame, <b>20x4</b> , 4" Ring Side
PG20X4R-5S	PG Grille White w/Mounting Frame, <b>20x4</b> , 5" Ring Side
PG20X4R-6S	PG Grille White w/Mounting Frame, <b>20x4</b> , 6" Ring Side

## Model PGRF

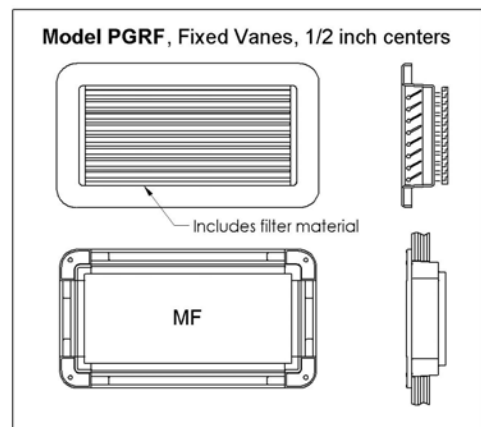
Unit includes grille, mounting frame and filter

### Application: Return-Air Only

(Fixed 30 Degree Blade size in **bold**)

Insert "**BK**" after grille size for black haircel finish  
(i.e. PG4X4**BKRF**)

(Not all items shown are stocked, call us if you do not see what you need. We may be able to build it.)



## ITEM CODE

## DESCRIPTION

PG4X4RF	PG Grille White w/Mounting Frame & Filter, <b>4x4</b>
PG4X6RF	PG Grille White w/Mounting Frame & Filter, <b>4x6</b>
PG4X8RF	PG Grille White w/Mounting Frame & Filter, <b>4x8</b>
PG4X10RF	PG Grille White w/Mounting Frame & Filter, <b>4x10</b>
PG4X12RF	PG Grille White w/Mounting Frame & Filter, <b>4x12</b>
PG4X16RF	PG Grille White w/Mounting Frame & Filter, <b>4x16</b>
PG4X20RF	PG Grille White w/Mounting Frame & Filter, <b>4x20</b>
PG5X5RF	PG Grille White w/Mounting Frame & Filter, <b>5x5</b>

PG5X10RF	PG Grille White w/Mounting Frame & Filter, <b>5x10</b>
PG5X12RF	PG Grille White w/Mounting Frame & Filter, <b>5x12</b>
PG6X4RF	PG Grille White w/Mounting Frame & Filter, <b>6x4</b>
PG6X6RF	PG Grille White w/Mounting Frame & Filter, <b>6x6</b>
PG6X10RF	PG Grille White w/Mounting Frame & Filter, <b>6x10</b>
PG6X12RF	PG Grille White w/Mounting Frame & Filter, <b>6x12</b>
PG8X4RF	PG Grille White w/Mounting Frame & Filter, <b>8x4</b>
PG8X8RF	PG Grille White w/Mounting Frame & Filter, <b>8x8</b>
PG8X10RF	PG Grille White w/Mounting Frame & Filter, <b>8x10</b>
PG8X16RF	PG Grille White w/Mounting Frame & Filter, <b>8x16</b>
PG10X4RF	PG Grille White w/Mounting Frame & Filter, <b>10x4</b>
PG10X5RF	PG Grille White w/Mounting Frame & Filter, <b>10x5</b>
PG10X6RF	PG Grille White w/Mounting Frame & Filter, <b>10x6</b>
PG10X8RF	PG Grille White w/Mounting Frame & Filter, <b>10x8</b>
PG10X10RF	PG Grille White w/Mounting Frame & Filter, <b>10x10</b>
PG10X14RF	PG Grille White w/Mounting Frame & Filter, <b>10x14</b>
PG12X4RF	PG Grille White w/Mounting Frame & Filter, <b>12x4</b>
PG12X5RF	PG Grille White w/Mounting Frame & Filter, <b>12x5</b>
PG12X6RF	PG Grille White w/Mounting Frame & Filter, <b>12x6</b>
PG12X12RF	PG Grille White w/Mounting Frame & Filter, <b>12x12</b>
PG12X14RF	PG Grille White w/Mounting Frame & Filter, <b>12x14</b>
PG14X10RF	PG Grille White w/Mounting Frame & Filter, <b>14x10</b>
PG14X12RF	PG Grille White w/Mounting Frame & Filter, <b>14x12</b>
PG16X4RF	PG Grille White w/Mounting Frame & Filter, <b>16x4</b>
PG16X8RF	PG Grille White w/Mounting Frame & Filter, <b>16x8</b>
PG20X4RF	PG Grille White w/Mounting Frame & Filter, <b>20x4</b>

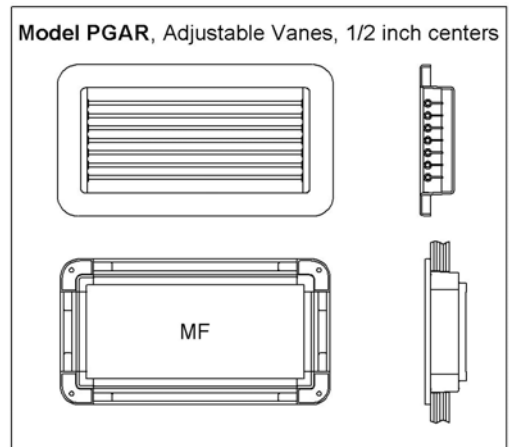
## Model PGAR

Unit includes grille and mounting frame (some w/ rings)

**Application: Supply Air (Adjustable Blades)**  
(Blade size in **bold**)

Insert "**BK**" after grille size for black haircel finish  
(i.e. **PGA4X4BK**R)

(Not all items shown are stocked, call us if you do not see what you need. We may be able to build it.)



## ITEM CODE

## DESCRIPTION

PGA4X4R	PGA Grille White w/Mounting Frame, <b>4x4</b>
PGA4X4R-3B	PGA Grille White w/Mounting Frame, <b>4x4</b> , 3" Ring Back
PGA4X4R-3S	PGA Grille White w/Mounting Frame, <b>4x4</b> , 3" Ring Side
PGA4X6R	PGA Grille White w/Mounting Frame, <b>4x6</b>
PGA4X8R	PGA Grille White w/Mounting Frame, <b>4x8</b>
PGA4X8R-4B	PGA Grille White w/Mounting Frame, <b>4x8</b> , 4" Ring Back
PGA4X8R-5B	PGA Grille White w/Mounting Frame, <b>4x8</b> , 5" Ring Back
PGA4X8R-4S	PGA Grille White w/Mounting Frame, <b>4x8</b> , 4" Ring Side
PGA4X8R-5S	PGA Grille White w/Mounting Frame, <b>4x8</b> , 5" Ring Side
PGA4X10R	PGA Grille White w/Mounting Frame, <b>4x10</b>
PGA4X10R-4B	PGA Grille White w/Mounting Frame, <b>4x10</b> , 4" Ring Back

PGA4X10R-5B	PGA Grille White w/Mounting Frame, 4x10, 5" Ring Back
PGA4X10R-4S	PGA Grille White w/Mounting Frame, 4x10, 4" Ring Side
PGA4X10R-5S	PGA Grille White w/Mounting Frame, 4x10, 5" Ring Side
PGA4X12R	PGA Grille White w/Mounting Frame, 4x12
PGA4X12R-4B	PGA Grille White w/Mounting Frame, 4x12, 4" Ring Back
PGA4X12R-5B	PGA Grille White w/Mounting Frame, 4x12, 5" Ring Back
PGA4X12R-4S	PGA Grille White w/Mounting Frame, 4x12, 4" Ring Side
PGA4X12R-5S	PGA Grille White w/Mounting Frame, 4x12, 5" Ring Side
PGA4X16R	PGA Grille White w/Mounting Frame, 4x16
PGA4X20R	PGA Grille White w/Mounting Frame, 4x20
PGA4X20R-4S	PGA Grille White w/Mounting Frame, 4x20, 4" Ring Side
PGA4X20R-5S	PGA Grille White w/Mounting Frame, 4x20, 5" Ring Side
PGA4X20R-6S	PGA Grille White w/Mounting Frame, 4x20, 6" Ring Side
PGA5X5R	PGA Grille White w/Mounting Frame, 5x5
PGA5X5R-3B	PGA Grille White w/Mounting Frame, 5x5, 3" Ring Back
PGA5X5R-4B	PGA Grille White w/Mounting Frame, 5x5, 4" Ring Back
PGA5X5R-3S	PGA Grille White w/Mounting Frame, 5x5, 3" Ring Side
PGA5X5R-4S	PGA Grille White w/Mounting Frame, 5x5, 4" Ring Side
PGA5X10R	PGA Grille White w/Mounting Frame, 5x10
PGA5X10R-4B	PGA Grille White w/Mounting Frame, 5x10, 4" Ring Back
PGA5X10R-5B	PGA Grille White w/Mounting Frame, 5x10, 5" Ring Back
PGA5X10R-6B	PGA Grille White w/Mounting Frame, 5x10, 6" Ring Back
PGA5X10R-4S	PGA Grille White w/Mounting Frame, 5x10, 4" Ring Side
PGA5X10R-5S	PGA Grille White w/Mounting Frame, 5x10, 5" Ring Side
PGA5X10R-6S	PGA Grille White w/Mounting Frame, 5x10, 6" Ring Side
PGA5X12R	PGA Grille White w/Mounting Frame, 5x12
PGA5X12R-4B	PGA Grille White w/Mounting Frame, 5x12, 4" Ring Back
PGA5X12R-5B	PGA Grille White w/Mounting Frame, 5x12, 5" Ring Back
PGA5X12R-6B	PGA Grille White w/Mounting Frame, 5x12, 6" Ring Back
PGA5X12R-4S	PGA Grille White w/Mounting Frame, 5x12, 4" Ring Side
PGA5X12R-5S	PGA Grille White w/Mounting Frame, 5x12, 5" Ring Side
PGA5X12R-6S	PGA Grille White w/Mounting Frame, 5x12, 6" Ring Side
PGA6X4R	PGA Grille White w/Mounting Frame, 6x4
PGA6X6R	PGA Grille White w/Mounting Frame, 6x6
PGA6X6R-4B	PGA Grille White w/Mounting Frame, 6x6, 4" Ring Back
PGA6X6R-5B	PGA Grille White w/Mounting Frame, 6x6, 5" Ring Back
PGA6X6R-4S	PGA Grille White w/Mounting Frame, 6x6, 4" Ring Side
PGA6X6R-5S	PGA Grille White w/Mounting Frame, 6x6, 5" Ring Side
PGA6X10R	PGA Grille White w/Mounting Frame, 6x10
PGA6X10R-4B	PGA Grille White w/Mounting Frame, 6x10, 4" Ring Back
PGA6X10R-5B	PGA Grille White w/Mounting Frame, 6x10, 5" Ring Back
PGA6X10R-6B	PGA Grille White w/Mounting Frame, 6x10, 6" Ring Back
PGA6X10R-4S	PGA Grille White w/Mounting Frame, 6x10, 4" Ring Side
PGA6X10R-5S	PGA Grille White w/Mounting Frame, 6x10, 5" Ring Side
PGA6X10R-6S	PGA Grille White w/Mounting Frame, 6x10, 6" Ring Side
PGA6X12R	PGA Grille White w/Mounting Frame, 6x12
PGA6X12R-4B	PGA Grille White w/Mounting Frame, 6x12, 4" Ring Back
PGA6X12R-5B	PGA Grille White w/Mounting Frame, 6x12, 5" Ring Back
PGA6X12R-6B	PGA Grille White w/Mounting Frame, 6x12, 6" Ring Back
PGA6X12R-7B	PGA Grille White w/Mounting Frame, 6x12, 7" Ring Back
PGA8X4R	PGA Grille White w/Mounting Frame, 8x4
PGA8X4R-4B	PGA Grille White w/Mounting Frame, 8x4, 4" Ring Back
PGA8X4R-5B	PGA Grille White w/Mounting Frame, 8x4, 5" Ring Back
PGA8X4R-4S	PGA Grille White w/Mounting Frame, 8x4, 4" Ring Side
PGA8X4R-5S	PGA Grille White w/Mounting Frame, 8x4, 5" Ring Side
PGA8X8R	PGA Grille White w/Mounting Frame, 8x8

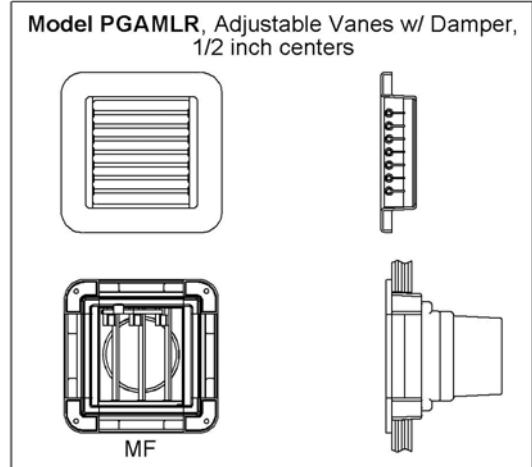
PGA8X10R	PGA Grille White w/Mounting Frame, <b>8x10</b>
PGA8X10R-5B	PGA Grille White w/Mounting Frame, <b>8x10</b> , 5" Ring Back
PGA8X10R-6B	PGA Grille White w/Mounting Frame, <b>8x10</b> , 6" Ring Back
PGA8X10R-7B	PGA Grille White w/Mounting Frame, <b>8x10</b> , 7" Ring Back
PGA8X16R	PGA Grille White w/Mounting Frame, <b>8x16</b>
PGA10X4R	PGA Grille White w/Mounting Frame, <b>10x4</b>
PGA10X4R-4B	PGA Grille White w/Mounting Frame, <b>10x4</b> , 4" Ring Back
PGA10X4R-5B	PGA Grille White w/Mounting Frame, <b>10x4</b> , 5" Ring Back
PGA10X4R-4S	PGA Grille White w/Mounting Frame, <b>10x4</b> , 4" Ring Side
PGA10X4R-5S	PGA Grille White w/Mounting Frame, <b>10x4</b> , 5" Ring Side
PGA10X5R	PGA Grille White w/Mounting Frame, <b>10x5</b>
PGA10X5R-4B	PGA Grille White w/Mounting Frame, <b>10x5</b> , 4" Ring Back
PGA10X5R-5B	PGA Grille White w/Mounting Frame, <b>10x5</b> , 5" Ring Back
PGA10X5R-6B	PGA Grille White w/Mounting Frame, <b>10x5</b> , 6" Ring Back
PGA10X5R-4S	PGA Grille White w/Mounting Frame, <b>10x5</b> , 4" Ring Side
PGA10X5R-5S	PGA Grille White w/Mounting Frame, <b>10x5</b> , 5" Ring Side
PGA10X5R-6S	PGA Grille White w/Mounting Frame, <b>10x5</b> , 6" Ring Side
PGA10X6R	PGA Grille White w/Mounting Frame, <b>10x6</b>
PGA10X6R-5B	PGA Grille White w/Mounting Frame, <b>10x6</b> , 5" Ring Back
PGA10X6R-6B	PGA Grille White w/Mounting Frame, <b>10x6</b> , 6" Ring Back
PGA10X6R-5S	PGA Grille White w/Mounting Frame, <b>10x6</b> , 5" Ring Side
PGA10X6R-6S	PGA Grille White w/Mounting Frame, <b>10x6</b> , 6" Ring Side
PGA10X8R	PGA Grille White w/Mounting Frame, <b>10x8</b>
PGA10X8R-5B	PGA Grille White w/Mounting Frame, <b>10x8</b> , 5" Ring Back
PGA10X8R-6B	PGA Grille White w/Mounting Frame, <b>10x8</b> , 6" Ring Back
PGA10X8R-7B	PGA Grille White w/Mounting Frame, <b>10x8</b> , 7" Ring Back
PGA10X10R	PGA Grille White w/Mounting Frame, <b>10x10</b>
PGA10X14R	PGA Grille White w/Mounting Frame, <b>10x14</b>
PGA12X4R	PGA Grille White w/Mounting Frame, <b>12x4</b>
PGA12X4R-4B	PGA Grille White w/Mounting Frame, <b>12x4</b> , 4" Ring Back
PGA12X4R-5B	PGA Grille White w/Mounting Frame, <b>12x4</b> , 5" Ring Back
PGA12X4R-4S	PGA Grille White w/Mounting Frame, <b>12x4</b> , 4" Ring Side
PGA12X4R-5S	PGA Grille White w/Mounting Frame, <b>12x4</b> , 5" Ring Side
PGA12X5R	PGA Grille White w/Mounting Frame, <b>12x5</b>
PGA12X5R-4B	PGA Grille White w/Mounting Frame, <b>12x5</b> , 4" Ring Back
PGA12X5R-5B	PGA Grille White w/Mounting Frame, <b>12x5</b> , 5" Ring Back
PGA12X5R-6B	PGA Grille White w/Mounting Frame, <b>12x5</b> , 6" Ring Back
PGA12X5R-4S	PGA Grille White w/Mounting Frame, <b>12x5</b> , 4" Ring Side
PGA12X5R-5S	PGA Grille White w/Mounting Frame, <b>12x5</b> , 5" Ring Side
PGA12X5R-6S	PGA Grille White w/Mounting Frame, <b>12x5</b> , 6" Ring Side
PGA12X6R	PGA Grille White w/Mounting Frame, <b>12x6</b>
PGA12X6R-4B	PGA Grille White w/Mounting Frame, <b>12x6</b> , 4" Ring Back
PGA12X6R-5B	PGA Grille White w/Mounting Frame, <b>12x6</b> , 5" Ring Back
PGA12X6R-6B	PGA Grille White w/Mounting Frame, <b>12x6</b> , 6" Ring Back
PGA12X6R-7B	PGA Grille White w/Mounting Frame, <b>12x6</b> , 7" Ring Back
PGA12X12R	PGA Grille White w/Mounting Frame, <b>12x12</b>
PGA12X14R	PGA Grille White w/Mounting Frame, <b>12x14</b>
PGA14X10R	PGA Grille White w/Mounting Frame, <b>14x10</b>
PGA14X12R	PGA Grille White w/Mounting Frame, <b>14x12</b>
PGA16X4R	PGA Grille White w/Mounting Frame, <b>16x4</b>
PGA16X8R	PGA Grille White w/Mounting Frame, <b>16x8</b>
PGA20X4R	PGA Grille White w/Mounting Frame, <b>20x4</b>
PGA20X4R-4S	PGA Grille White w/Mounting Frame, <b>20x4</b> , 4" Ring Side
PGA20X4R-5S	PGA Grille White w/Mounting Frame, <b>20x4</b> , 5" Ring Side
PGA20X4R-6S	PGA Grille White w/Mounting Frame, <b>20x4</b> , 6" Ring Side

**NEW**

**Model PGAMLR**

Unit includes grille and mounting frame w/ ring

Application: Supply Air (Adjustable Blades w/ Damper)



**ITEM CODE**

**DESCRIPTION**

PGAML5X5R-3B  
PGAML6X6R-4B

PGAML Grille White w/Damper & Mounting Frame, 5x5, 3" Ring Back  
PGAML Grille White w/Damper & Mounting Frame, 6x6, 4" Ring Back

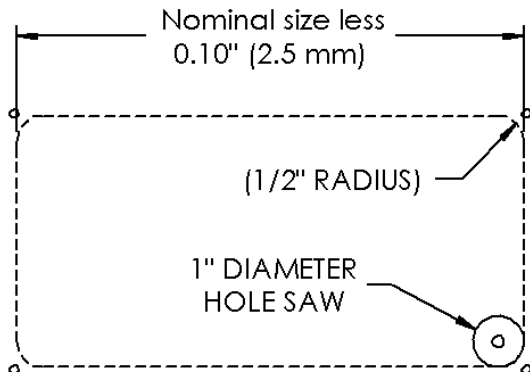
**Plastic-Framed Grilles - Hole Cutout Dimensions**

There is a consistent formula to cut the holes for the plastic grille mounting frame. *The side dimension is the nominal size less (.10").*

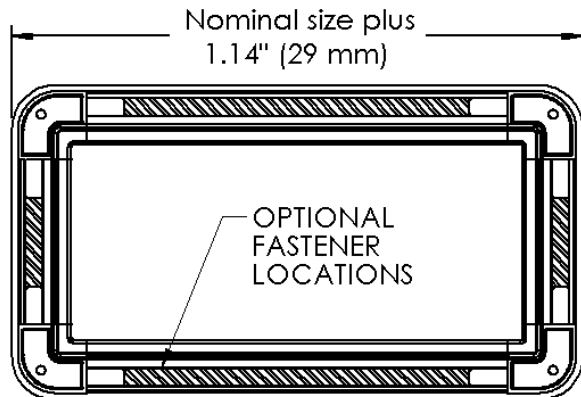
For manual cutting we suggest using a 1" diameter hole saw to create the 1/2" radius corners. If you cut it square there will not be anyplace to fasten through the hole in the corners and you will need to use the optional side locations. Those companies using CNC equipment should be able to accurately cut this opening. Please have our product in hand before you cut or program holes for the first time.

The chart on the following page shows the *Mounting Frame Cutout Dimensions* and the *Plastic Grille Outside Dimensions* for all of our plastic grilles.

Mounting Frame Cutout Dimensions



Grille Outside Dimensions



<b>PLASTIC GRILLE NOMINAL SIZE</b>	<b>MOUNTING FRAME CUTOUT DIMENSIONS</b>	<b>PLASTIC GRILLE OUTSIDE DIMENSIONS</b>
<b>4 x 4</b>	3.9" x 3.9"	5.14" x 5.14"
<b>4 x 6</b>	3.9 x 5.9	5.14 x 7.14
<b>4 x 8</b>	3.9 x 7.9	5.14 x 9.14
<b>4 x 10</b>	3.9 x 9.9	5.14 x 11.14
<b>4 x 12</b>	3.9 x 11.9	5.14 x 13.14
<b>4 x 16</b>	3.9 x 15.9	5.14 x 17.14
<b>4 x 20</b>	3.9 x 19.9	5.14 x 21.14
<b>5 x 5</b>	4.9 x 4.9	6.14 x 6.14
<b>5 x 10</b>	4.9 x 9.9	6.14 x 11.14
<b>5 x 12</b>	4.9 x 11.9	6.14 x 13.14
<b>6 x 4</b>	5.9 x 3.9	7.14 x 5.14
<b>6 x 6</b>	5.9 x 5.9	7.14 x 7.14
<b>6 x 10</b>	5.9 x 9.9	7.14 x 11.14
<b>6 x 12</b>	5.9 x 11.9	7.14 x 13.14
<b>8 x 4</b>	7.9 x 3.9	9.14 x 5.14
<b>8 x 8</b>	7.9 x 7.9	9.14 x 9.14
<b>8 x 10</b>	7.9 x 9.9	9.14 x 11.14
<b>8 x 16</b>	7.9 x 15.9	9.14 x 17.14
<b>10 x 4</b>	9.9 x 3.9	11.14 x 5.14
<b>10 x 5</b>	9.9 x 4.9	11.14 x 6.14
<b>10 x 6</b>	9.9 x 5.9	11.14 x 7.14
<b>10 x 8</b>	9.9 x 7.9	11.14 x 9.14
<b>10 x 10</b>	9.9 x 9.9	11.14 x 11.14
<b>10 x 14</b>	9.9 x 13.9	11.14 x 15.14
<b>12 x 4</b>	11.9 x 3.9	13.14 x 5.14
<b>12 x 5</b>	11.9 x 4.9	13.14 x 6.14
<b>12 x 6</b>	11.9 x 5.9	13.14 x 7.14
<b>12 x 12</b>	11.9 x 11.9	13.14 x 13.14
<b>12 x 14</b>	11.9 x 13.9	13.14 x 15.14
<b>14 x 10</b>	13.9 x 9.9	15.14 x 11.14
<b>14 x 12</b>	13.9 x 11.9	15.14 x 13.14
<b>16 x 4</b>	15.9 x 3.9	17.14 x 5.14
<b>16 x 8</b>	15.9 x 7.9	17.14 x 9.14
<b>20 x 4</b>	19.9 x 3.9	21.14 x 5.14

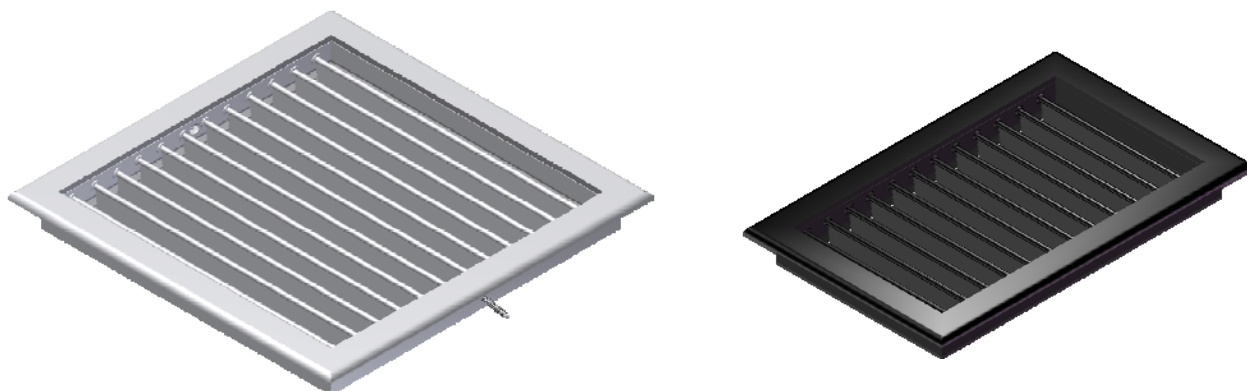
# ALL ALUMIUNUM GRILLES

When we decided to build our own aluminum grilles we knew we had to create something special. It is not our intention to be a full-line aluminum grille manufacturer and we will fit our them to the needs of our customer base. The industries that we support need high quality in their products but price is still important. Fire ratings are not available in our wood or plastic grilles.

It is easy to create well-engineered extrusions with high aluminum content. The more you have, the higher the cost. The difficulty in making aluminum look good is a little more challenging. We have engineered our extrusions with high aluminum content but added something different. Our extrusion will have baked-on paint applied at the mill. Our vanes for our wood and plastic grilles have always been finished this way and it is very durable.

We have two aluminum grille colors. We are using the same gloss white that we use on our plastic grilles and we have created a new flat black. The flat black is an especially attractive color and we expect the majority of our orders to be black. Both colors make a great base for optional painted colors.

Our initial models include an RA (return air), RAF (return air filtered) and a V (2-way supply grille) in several standard sizes. Other models have been engineered but will come later. Fast standard and optional special sizes will be available, reducing your inventory. Along with our paint method this should set us apart from the other manufacturers. All grilles also include stainless steel mounting screws with painted heads for our marine customers. There are screw access holes in the sides of all of our models. Grilles dimension at the cutout is 1/8" less than nominal. Outside dimension at the face is 1" more than nominal.



Please note on the next page the highlighted row for the RA-AL/RAF-AL and the highlighted column for the V-AL. There is only one row of blades in each of these two grille models. Our aluminum grilles match our wood-framed grilles with respect to sizing and blade direction. The blades run horizontally in the RA grilles with the horizontal dimension. The blades run vertically with the vertical dimension in a V grille. Nominal blade length is in yellow.

Size availability subject to change. VH and VML models are expected to be added to this line.

# Aluminum Grille Available Sizes

Available Sizes—RA-AL, RAF-AL

	Height												
Width		4	6	7	8	10	11	12	14	16	18	20	22
	4	*	*	*	*	*	*	*	*	*	*	*	*
	6	*	*	*	*	*	*	*	*	*	*	*	*
	7	*	*	*	*	*	*	*	*	*	*	*	*
	8	*	*	*	*	*	*	*	*	*	*	*	*
	10	*	*	*	*	*	*	*	*	*	*	*	*
	11	*	*	*	*	*	*	*	*	*	*	*	*
	12	*	*	*	*	*	*	*	*	*	*	*	*
	14	*	*	*	*	*	*	*	*	*	*	*	*
	16	*	*	*	*	*	*	*	*	*	*	*	*
	18	*	*	*	*	*	*	*	*	*	*	*	*
	20	*	*	*	*	*	*	*	*	*	*	*	*
	22	*	*	*	*	*	*	*	*	*	*	*	*

Available Sizes—V-AL

	Height												
Width		4	6	7	8	10	11	12	14	16	18	20	22
	4	*	*	*	*	*	*	*	*	*	*	*	*
	6	*	*	*	*	*	*	*	*	*	*	*	*
	7	*	*	*	*	*	*	*	*	*	*	*	*
	8	*	*	*	*	*	*	*	*	*	*	*	*
	10	*	*	*	*	*	*	*	*	*	*	*	*
	11	*	*	*	*	*	*	*	*	*	*	*	*
	12	*	*	*	*	*	*	*	*	*	*	*	*
	14	*	*	*	*	*	*	*	*	*	*	*	*
	16	*	*	*	*	*	*	*	*	*	*	*	*
	18	*	*	*	*	*	*	*	*	*	*	*	*
	20	*	*	*	*	*	*	*	*	*	*	*	*
	22	*	*	*	*	*	*	*	*	*	*	*	*



# Ducting Products

Whether you choose our wood-framed or plastic-framed grilles, you will need a way to duct conditioned air to them. We manufacture a complete line of plastic ducting products from the hose adapter on the air handler to the transitions behind our wood-framed grilles. On the next few pages you will find an assortment of duct rings, adapters, transitions, special transitions, plenum boxes and the widest range of AirDividers available anywhere.

## PLASTIC DUCTING PRODUCTS

### HOSE RINGS, ROUND

ITEM CODE	DESCRIPTION
HR2	Hose Ring, Round, 2"
HR3	Hose Ring, Round, 3"
HR4	Hose Ring, Round, 4"
HR5	Hose Ring, Round, 5"
HR6	Hose Ring, Round, 6"
HR7	Hose Ring, Round, 7"
HR8	Hose Ring, Round, 8"



### HOSE RINGS, FLAT OVAL

ITEM CODE	DESCRIPTION
HRF4	Hose Ring, Flat Oval, 4"
HRF5	Hose Ring, Flat Oval, 5"
HRF6	Hose Ring, Flat Oval, 6"
HRF7	Hose Ring, Flat Oval, 7"
HRF8	Hose Ring, Flat Oval, 8"

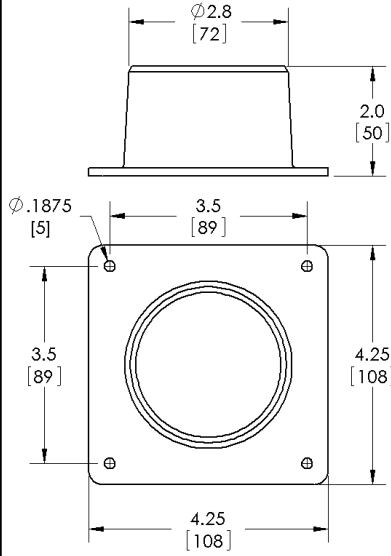


### BLOWER ADAPTERS

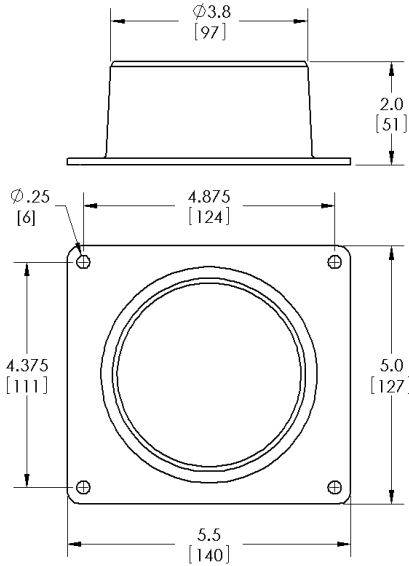
ITEM CODE	DESCRIPTION
HA3	Blower Adapter, 3" Duct or AirDivider
HA4	Blower Adapter, 4" Duct or AirDivider
HA5	Blower Adapter, 5" Duct or AirDivider
HA6	Blower Adapter, 6" Duct or AirDivider
HA616	Blower Adapter, 6" Duct or AirDivider
HA716	Blower Adapter, 7" Duct or AirDivider
HA6BL	Blower Adapter, 6" Duct or AirDivider
HA7BL	Blower Adapter, 7" Duct or AirDivider
HA8-18	Blower Adapter, 8" Duct or AirDivider



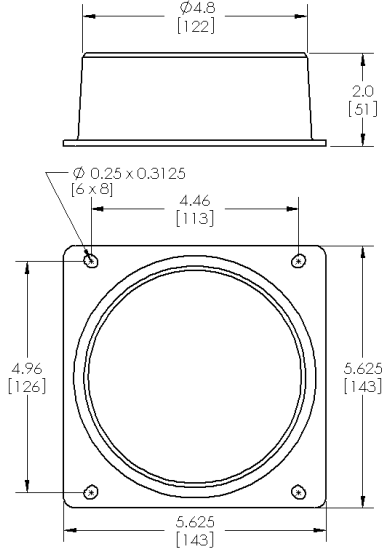
### HA3



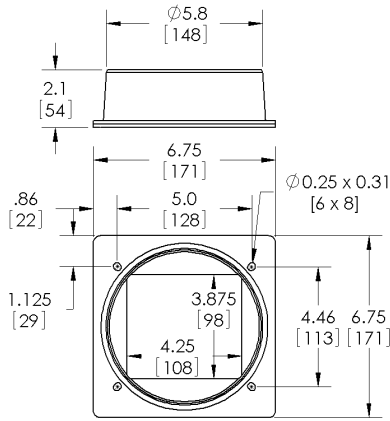
### HA4



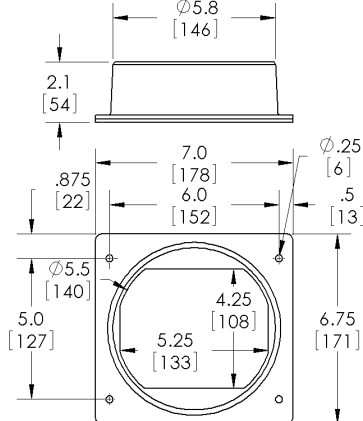
### HA5



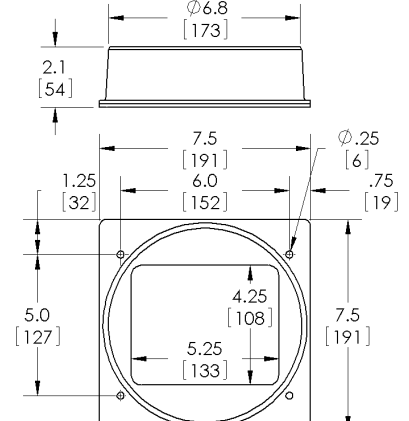
### HA6



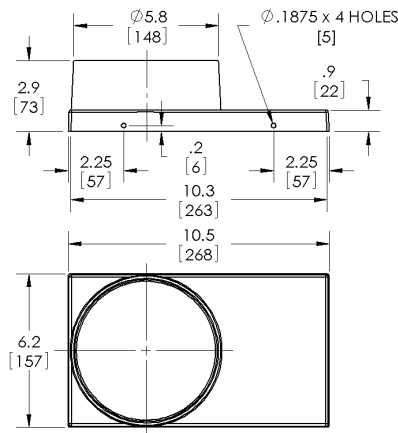
### HA616



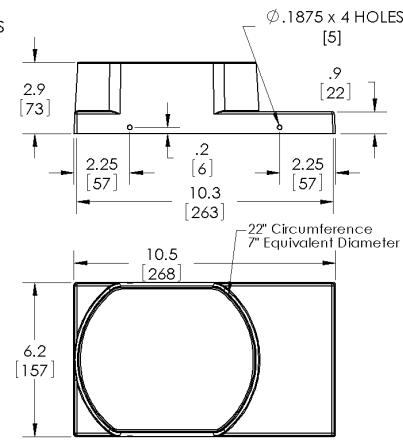
### HA716



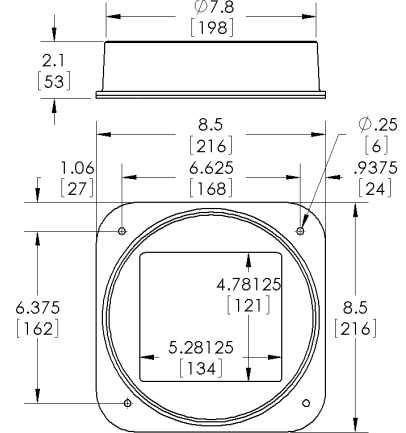
### HA6BL



### HA7BL



### HA8-18



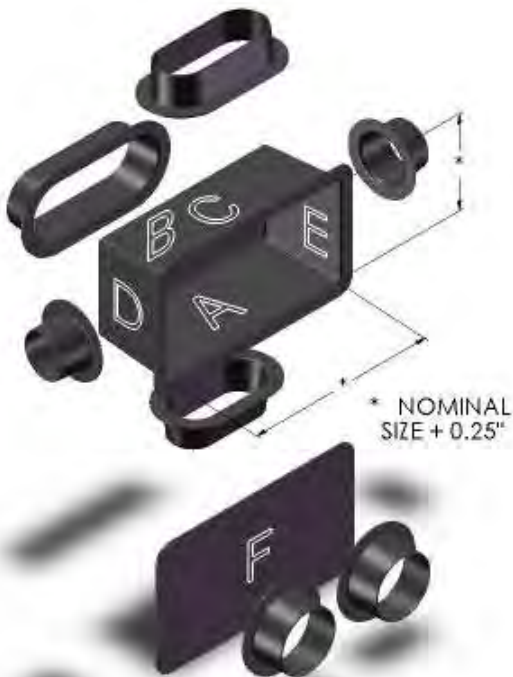
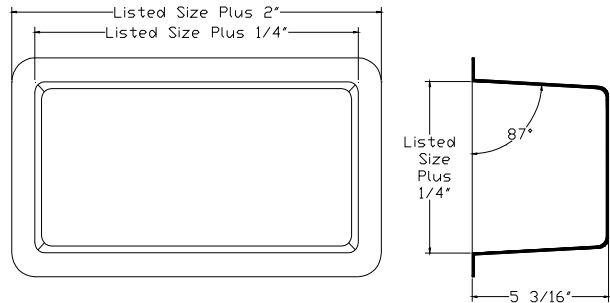
## PLASTIC DUCTING PRODUCTS

### TRANSITIONS, STANDARD (ORDER RINGS ON PREVIOUS PAGE)

**ITEM CODE**

**DESCRIPTION**

TB64	Transition Box, 6X4
TB84	Transition Box, 8x4
TB104	Transition Box, 10x4
TB124	Transition Box, 12x4
TB144	Transition Box, 14x4
TB164	Transition Box, 16x4
TB204	Transition Box, 20x4
TB85	Transition Box, 8x5
TB105	Transition Box, 10x5
TB125	Transition Box, 12x5
TB145	Transition Box, 14x5
TB205	Transition Box, 20x5
TB66	Transition Box, 6x6
TB86	Transition Box, 8x6
TB106	Transition Box, 10x6
TB126	Transition Box, 12x6
TB146	Transition Box, 14x6
TB166	Transition Box, 16x6
TB206	Transition Box, 20x6
TB77	Transition Box, 7x7
TB88	Transition Box, 8x8
TB108	Transition Box, 10x8
TB168	Transition Box, 16x8
TB1010	Transition Box, 10x10
TB1212	Transition Box, 12x12



Our standard transition boxes are constructed of black ABS with a haircel finish. They are all slightly more than 5" deep and at the opening they are 1/4" larger than the nominal size. The flange corners and all edges are rounded to avoid sharp points.

All of our standard transitions boxes can be assembled at the factory with one or more rings attached and additionally openings can be closed to create a distribution plenum. Specify the side by letter followed by a ring size. We will use a round ring if possible. If not, we will use either an oblong ring or a flat oval. The opening can be closed off with a blank or with one or more rings. Please provide a drawing for complex configurations and any internal baffles.

## PLASTIC DUCTING PRODUCTS

### TRANSITION, RING Back

ITEM CODE	DESCRIPTION
TB44-3B	Transition Box, 4x4, 3" Ring Back
TB44-4B	Transition Box, 4x4, 4" Ring Back
TB64-3B	Transition Box, 6x4, 3" Ring Back
TB64-4B	Transition Box, 6x4, 4" Ring Back
TB84-4B	Transition Box, 8x4, 4" Ring Back
TB84-5B	Transition Box, 8x4, 5" Ring Back
TB86-6B	Transition Box, 8x6, 6" Ring Back
TB104-5B	Transition Box, 10x4, 5" Ring Back
TB104-6B	Transition Box, 10x4, 6" Ring Back
TB105-5B	Transition Box, 10x5, 5" Ring Back
TB106-5B	Transition Box, 10x6, 5" Ring Back
TB106-6B	Transition Box, 10x6, 6" Ring Back
TB145-7B	Transition Box, 14x5, 7" Ring Back



### TRANSITION, RING SIDE

ITEM CODE	DESCRIPTION
TB84-4S	Transition Box, 8x4, 4" Ring Side
TB84-5S	Transition Box, 8x4, 5" Ring Side
TB84-6S	Transition Box, 8x4, 6" Ring Side
TB104-4S	Transition Box, 10x4, 4" Ring Side
TB104-5S	Transition Box, 10x4, 5" Ring Side
TB104-6S	Transition Box, 10x4, 6" Ring Side
TB124-5S	Transition Box, 12x4, 5" Ring Side
TB124-6S	Transition Box, 12x4, 6" Ring Side



### TRANSITION, RING END (also transition hose ring adapters to fit standard transitions)

ITEM CODE	DESCRIPTION
TR3-4E	Transition Hose Ring, 3"
TR4-4E	Transition Hose Ring, 4"
TB44-3E	Transition Box, 4x4, 3" Ring End
TB44-4E	Transition Box, 4x4, 4" Ring End
TB64-3E	Transition Box, 6x4, 3" Ring End
TB64-4E	Transition Box, 6x4, 4" Ring End
TB84-4E	Transition Box, 8x4, 4" Ring End
TB104-4E	Transition Box, 10x4, 4" Ring End
TB105-5E	Transition Box, 10x5, 5" Ring End
TB124-4E	Transition Box, 12x4, 4" Ring End

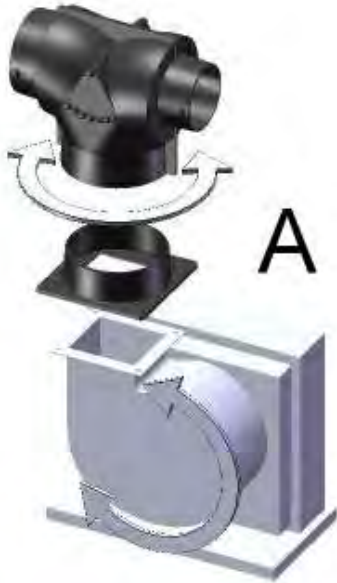


### Plenum Boxes (Optional Factory or Field Installed Rings, Baffles, Adapter Covers)

PL5	Plenum Box, Blank Sides & Cover (Fits 5" Ring)
PL6	Plenum Box, Blank Sides & Cover (Fits 6" Ring)
PL7	Plenum Box, 7"x7"x7", Blank Sides & Cover

# AirDivider

## 2 Inlet Supply Types (A or H)

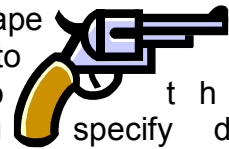


Configure our AirDividers by first choosing one of two inlet supply types (Adapter on left or Hose on right). Both begin with a blower adapter secured to your unit. If you want to mount our AirDivider directly onto the blower specify "A". The draft angle on our blower adapters is a perfect fit for our A-style AirDividers. Rotate the AirDivider as necessary and secure. If you will be connecting to the blower with hose duct specify "H" and secure duct on all fittings.



## 3 Basic Shapes (T, Y, P)

There are three basic AirDivider shapes "T", "Y" and our new "P" and they are available in all sizes. The "T" and "Y" shape are self-explanatory. The "P" shape is derived from "pistol" where the inlet is the pistol grip, the outlet to the right at 90 degrees is the barrel and the outlet at 30 degrees to the left is the hammer. It will be important to use this pistol image if you specify different outlet sizes in this "P" model. See more explanations later in this section.



At this point you have six possible designations to include AT, AY, AP, HT, HY and HP.

# Inlet Fittings

We have five basic AirDivider bodies (4"-8"). We have seven adapter inlet fittings (3"-9") and seven hose inlet fittings (3"-9"). We are currently putting the 3" on the 4" body and the 9" on the 8" body. As you will see below we have 42 possible models even before we add the outlet fittings.

4"-Body AT3, AT4, AY3, AY4, AP3, AP4, HT3, HT4, HY3, HY4, HP3, HP4

5"-Body AT5, AY5, AP5, HT5, HY5, HP5

6"-Body AT6, AY6, AP6, HT6, HY6, HP6

7"-Body AT7, AY7, AP7, HT7, HY7, HP7

8"-Body AT8, AT9, AY8, AY9, AP8, AP9, HT8, HT9, HY8, HY9, HP8, HP9

# Outlet Fittings

It is now time to add the two outlet sizes to our AirDividers. We have seven possible outlet size from 2" - 8". The maximum outlet size is controlled by the body size which is controlled by the inlet size. Available outlet sizes per body are:

4"-Body 2", 3", 4"

5"-Body 2", 3", 4", 5"

6"-Body 2", 3", 4", 5", 6"

7"-Body 2", 3", 4", 5", 6", 7"

8"-Body 2", 3", 4", 5", 6", 7", 8"

# Instructions for P Model

Please pay attention to these instructions for specifying our P model. *If you specify equal sized outlet sizes you can skip these instructions.* The order of numbering is inlet size (pistol grip) followed by the left side (hammer) and then ending with the right side (barrel). Let's say that you have decided on a AP4 model which will fit on our HA4 blower adapter. You want a 4" hose to go out the barrel but you want a 3" at the trigger. The part number would be AP434.



Hidden inside of all of our AirDividers is our exclusive air diverter. Cut on our CNC routers this simple piece of plastic is very effective in controlling the amount of air force at the two outlets.

With the new models we also started adding simple bumps to the outlets to assist in securing hose duct. Although our inventive AirDividers have been copied in concept and name we feel that no one has equaled the MSI AirDivider.



## Our Most Common Models

HY544	HY654	HT443	HT755
HT444	HY663	AT654	HY533
HY433	AY653	HT644	AT653
HY554	HT554	HY655	HT664
HY553	AT544	HY764	AT644
HT544	AT764	AY644	AT755
AT655	HY755	HT553	AY544
HY664	HT655	AT663	HT775
HY644	HY543	HT755	AY664
HY444	HY653	HY533	AT664
AT553	HY443	AT663	AY654

## Custom AirDividers Available



## AIR DIVIDER – ADAPTER T

### ITEM CODE

### DESCRIPTION

AT443	Adapter T, 4" Inlet– 4", 3" Outlets
AT444	Adapter T, 4" Inlet– 4", 4" Outlets
AT543	Adapter T, 5" Inlet– 4", 3" Outlets
AT544	Adapter T, 5" Inlet– 4", 4" Outlets
AT553	Adapter T, 5" Inlet– 5", 3" Outlets
AT554	Adapter T, 5" Inlet– 5", 4" Outlets
AT555	Adapter T, 5" Inlet– 5", 5" Outlets
AT644	Adapter T, 6" Inlet– 4", 4" Outlets
AT653	Adapter T, 6" Inlet– 5", 3" Outlets
AT654	Adapter T, 6" Inlet– 5", 4" Outlets
AT655	Adapter T, 6" Inlet– 5", 5" Outlets
AT663	Adapter T, 6" Inlet– 6", 3" Outlets
AT664	Adapter T, 6" Inlet– 6", 4" Outlets
AT665	Adapter T, 6" Inlet– 6", 5" Outlets
AT666	Adapter T, 6" Inlet– 6", 6" Outlets
AT754	Adapter T, 7" Inlet– 5", 4" Outlets
AT755	Adapter T, 7" Inlet– 5", 5" Outlets
AT763	Adapter T, 7" Inlet– 6", 3" Outlets
AT764	Adapter T, 7" Inlet– 6", 4" Outlets
AT765	Adapter T, 7" Inlet– 6", 5" Outlets
AT766	Adapter T, 7" Inlet– 6", 6" Outlets
AT774	Adapter T, 7" Inlet– 7", 4" Outlets
AT775	Adapter T, 7" Inlet– 7", 5" Outlets



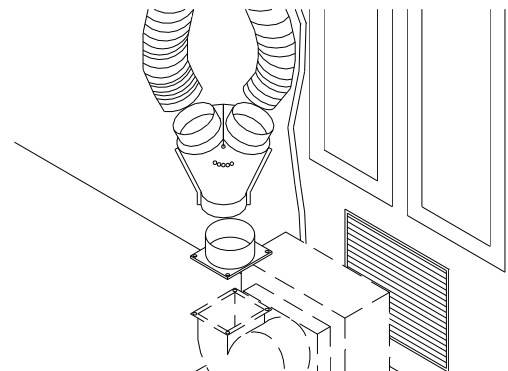
*Did you know?* All of our air dividers include our exclusive internal manually adjustable divider.

## AIR DIVIDER – ADAPTER Y

### ITEM CODE

### DESCRIPTION

AY444	Adapter Y, 4" Inlet– 4", 4" Outlets
AY543	Adapter Y, 5" Inlet– 4", 3" Outlets
AY544	Adapter Y, 5" Inlet– 4", 4" Outlets
AY554	Adapter Y, 5" Inlet– 5", 4" Outlets
AY555	Adapter Y, 5" Inlet– 5", 5" Outlets
AY644	Adapter Y, 6" Inlet– 4", 4" Outlets
AY653	Adapter Y, 6" Inlet– 5", 3" Outlets
AY654	Adapter Y, 6" Inlet– 5", 4" Outlets
AY655	Adapter Y, 6" Inlet– 5", 5" Outlets
AY664	Adapter Y, 6" Inlet– 6", 4" Outlets
AY665	Adapter Y, 6" Inlet– 6", 5" Outlets
AY666	Adapter Y, 6" Inlet– 6", 6" Outlets
AY744	Adapter Y, 7" Inlet– 4", 4" Outlets
AY754	Adapter Y, 7" Inlet– 5", 4" Outlets
AY755	Adapter Y, 7" Inlet– 5", 5" Outlets
AY763	Adapter Y, 7" Inlet– 6", 3" Outlets
AY764	Adapter Y, 7" Inlet– 6", 4" Outlets
AY765	Adapter Y, 7" Inlet– 6", 5" Outlets



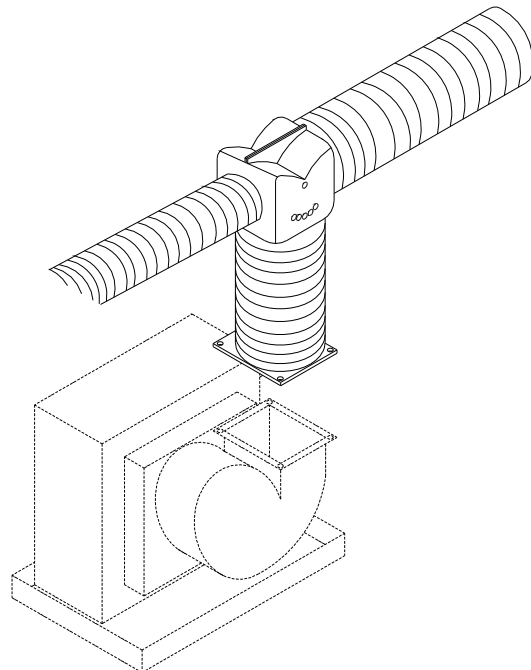


# AIR DIVIDER – HOSE T

## ITEM CODE

## DESCRIPTION

HT433	Hose T, 4" Inlet– 3", 3" Outlets
HT443	Hose T, 4" Inlet– 4", 3" Outlets
HT444	Hose T, 4" Inlet– 4", 4" Outlets
HT543	Hose T, 5" Inlet– 4", 3" Outlets
HT544	Hose T, 5" Inlet– 4", 4" Outlets
HT553	Hose T, 5" Inlet– 5", 3" Outlets
HT554	Hose T, 5" Inlet– 5", 4" Outlets
HT555	Hose T, 5" Inlet– 5", 5" Outlets
HT643	Hose T, 6" Inlet– 4", 3" Outlets
HT644	Hose T, 6" Inlet– 4", 4" Outlets
HT653	Hose T, 6" Inlet– 5", 3" Outlets
HT654	Hose T, 6" Inlet– 5", 4" Outlets
HT655	Hose T, 6" Inlet– 5", 5" Outlets
HT663	Hose T, 6" Inlet– 6", 3" Outlets
HT664	Hose T, 6" Inlet– 6", 4" Outlets
HT665	Hose T, 6" Inlet– 6", 5" Outlets
HT666	Hose T, 6" Inlet– 6", 6" Outlets
HT744	Hose T, 7" Inlet– 4", 4" Outlets
HT753	Hose T, 7" Inlet– 5", 3" Outlets
HT754	Hose T, 7" Inlet– 5", 4" Outlets
HT755	Hose T, 7" Inlet– 5", 5" Outlets
HT763	Hose T, 7" Inlet– 6", 3" Outlets
HT764	Hose T, 7" Inlet– 6", 4" Outlets
HT765	Hose T, 7" Inlet– 6", 5" Outlets
HT766	Hose T, 7" Inlet– 6", 6" Outlets
HT774	Hose T, 7" Inlet– 7", 4" Outlets
HT775	Hose T, 7" Inlet– 7", 5" Outlets
HT864	Hose T, 8" Inlet– 6", 4" Outlets
HT874	Hose T, 8" Inlet– 7", 4" Outlets
HT877	Hose T, 8" Inlet– 7", 7" Outlets

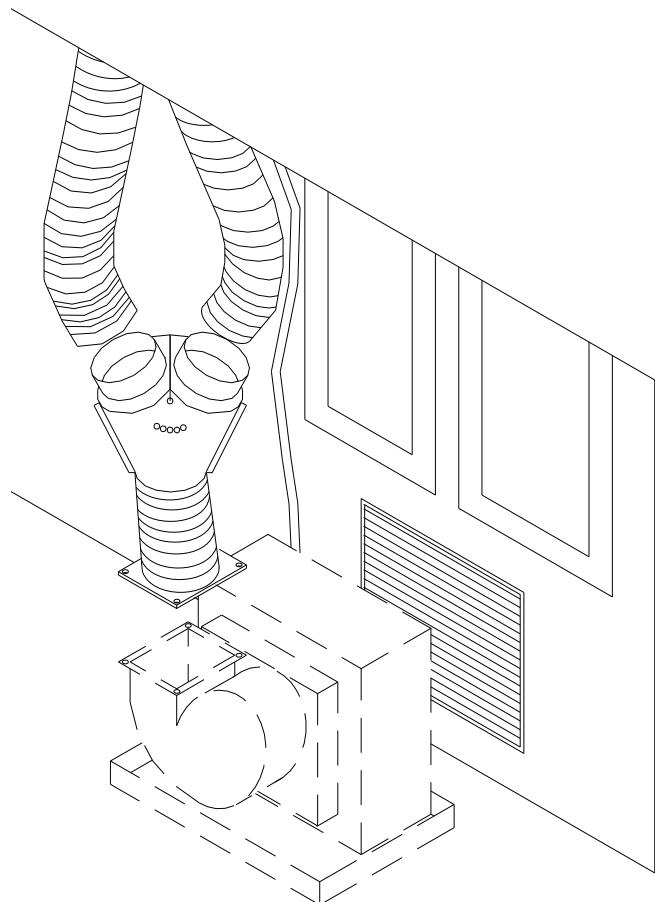


# AIR DIVIDER – HOSE Y

## ITEM CODE

## DESCRIPTION

HY433	Hose Y, 4" Inlet– 3", 3" Outlets
HY444	Hose Y, 4" Inlet– 4", 4" Outlets
HY533	Hose Y, 5" Inlet– 3", 3" Outlets
HY543	Hose Y, 5" Inlet– 4", 3" Outlets
HY544	Hose Y, 5" Inlet– 4", 4" Outlets
HY553	Hose Y, 5" Inlet– 5", 3" Outlets
HY554	Hose Y, 5" Inlet– 5", 4" Outlets
HY555	Hose Y, 5" Inlet– 5", 5" Outlets
HY643	Hose Y, 6" Inlet– 4", 3" Outlets
HY644	Hose Y, 6" Inlet– 4", 4" Outlets
HY654	Hose Y, 6" Inlet– 5", 4" Outlets
HY655	Hose Y, 6" Inlet– 5", 5" Outlets
HY664	Hose Y, 6" Inlet– 6", 4" Outlets
HY665	Hose Y, 6" Inlet– 6", 5" Outlets
HY666	Hose Y, 6" Inlet– 6", 6" Outlets
HY744	Hose Y, 7" Inlet– 4", 4" Outlets
HY754	Hose Y, 7" Inlet– 5", 4" Outlets
HY755	Hose Y, 7" Inlet– 5", 5" Outlets
HY763	Hose Y, 7" Inlet– 6", 3" Outlets
HY764	Hose Y, 7" Inlet– 6", 4" Outlets
HY765	Hose Y, 7" Inlet– 6", 5" Outlets
HY766	Hose Y, 7" Inlet– 6", 6" Outlets
HY774	Hose Y, 7" Inlet– 7", 4" Outlets

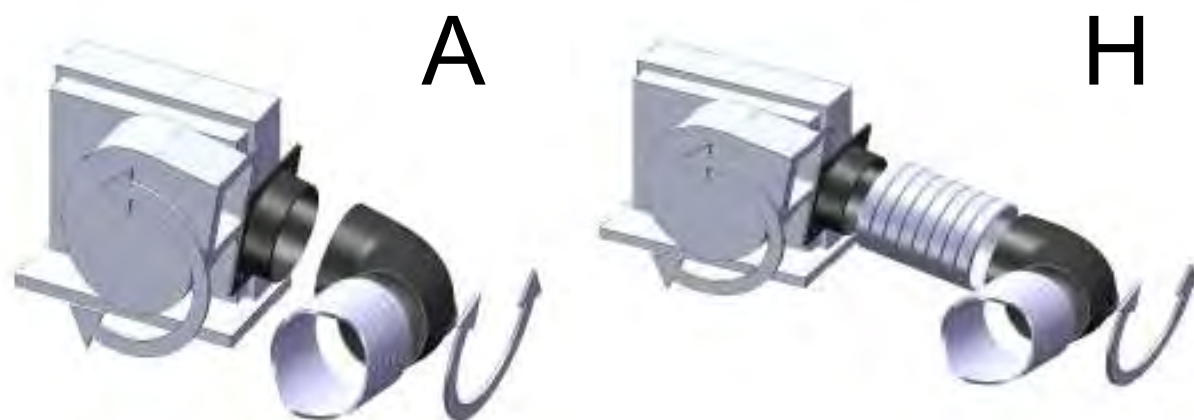


# 90° Adapter/Hose Elbows

Use our elbows in areas where hose duct crushing can occur and compromise airflow. Our adapter style will fit on our equivalent sized hose adapters. Rotate to the desired angle and secure. Our hose style can be used anywhere along the air supply route. Outlet side includes our simple bumps to assist in securing hose duct. Current sizes available includes 4",5",6" and 7".

Contact us for custom applications.

## 2 Inlet Supply Types (A or H)



### ITEM CODE

### DESCRIPTION

A4-90 4" Adapter Elbow, 90°  
A5-90 5" Adapter Elbow, 90°  
A6-90 6" Adapter Elbow, 90°  
A7-90 7" Adapter Elbow, 90°  
A8-90 8" Adapter Elbow, 90°

H4-90 4" Hose Elbow, 90°  
H5-90 5" Hose Elbow, 90°  
H6-90 6" Hose Elbow, 90°  
H7-90 7" Hose Elbow, 90°  
H8-90 8" Hose Elbow, 90°



## MISCELLANEOUS PARTS

### Round Plastic Grilles (Global Style)

ITEM CODE	DESCRIPTION
3GL-BK	3" Round Global Style, Black
3GL-BK3	3" Round Global Style, Black, With 3" Hose Adapter
3GL-W	3" Round Global Style, White
3GL-W3	3" Round Global Style, White, With 3" Hose Adapter
3GL-OW	3" Round Global Style, Off-White
3GL-OW3	3" Round Global Style, Off-White, With 3" Hose Adapter



3GL-BK



3GL-W



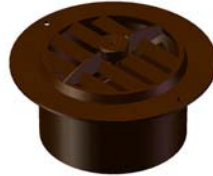
3GL-OW3

### Round Plastic Grilles (Traditional Style)

ITEM CODE	DESCRIPTION
R4ABK	4" Round Damper Vent, Black
R4ABN	4" Round Damper Vent, Brown
R4AW	4" Round Damper Vent, White
R4AOW	4" Round Damper Vent, Off-White



R4ABK



R4ABN



R4AW



R4AOW

### Round Plastic Grille Adapter

ITEM CODE	DESCRIPTION
RR3-4R	3" Hose Adapter to 4" Round Vent



RR3-4R



R4AW WITH RR3-4R

*\*\*Product colors shown are approximate\*\**

**Insulate Flexible Duct**

**ITEM CODE**

**DESCRIPTION**

120601-13	3" x 25', R 4.2 Insulated Hose
120601-04	4" x 25', R 4.2 Insulated Hose
120601-05	5" x 25', R 4.2 Insulated Hose
120601-06	6" x 25', R 4.2 Insulated Hose
120601-07	7" x 25', R 4.2 Insulated Hose
120601-08	8" x 25', R 4.2 Insulated Hose



**Duct Couplings**

**ITEM CODE**

**DESCRIPTION**

DC4	Duct Coupling, 4"
DC5	Duct Coupling, 5"
DC5-4	Duct Coupling, Reducing, 5" to 4"



**DC4**



**DC5**



**DC5-4**

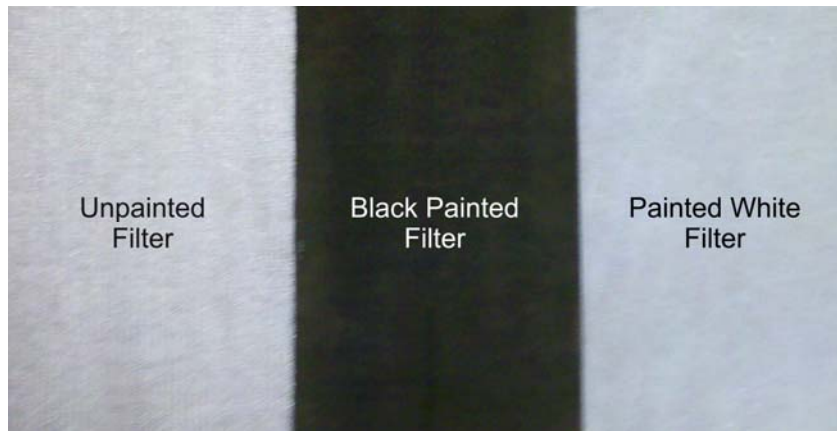


**Replacement Filter Material**

**ITEM CODE**

**DESCRIPTION**

FM2032	Aluminum Filter Material, 20"x32", Unpainted
FM2032B	Aluminum Filter Material, 20"x32", Black
FM2032W	Aluminum Filter Material, 20"x32", White



Unpainted  
Filter

Black Painted  
Filter

Painted White  
Filter

# QuietVent Fans

In 2001 we were approached by a yacht builder to design a quiet fan to duct stale air from their heads (bathroom). We found an excellent source of DC brushless axial cooling fans and mated it to a special PG mounting receiver. As in all of our PG receivers it mounts on the finished side of the wall and our plastic framed grille is "snapped" into the receiver and held with stainless steel spring catches. The standard receiver (shown at right) also includes a 4" hose ring for routing the stale air outside. From that first 12 VDC version we have added 24 VDC, 115 VAC and 230 VAC models. Other versions are being used to ventilate electronics cabinets, generators, and to move conditioned air. As with all of our products we can customize this product to your needs.



VF66-12V

12 & 24 VDC fan motors rated at 45 dBA and 140CFM.  
 115 & 230 VAC 60 Hz fan motors rated at 38 dBA and 81 CFM.

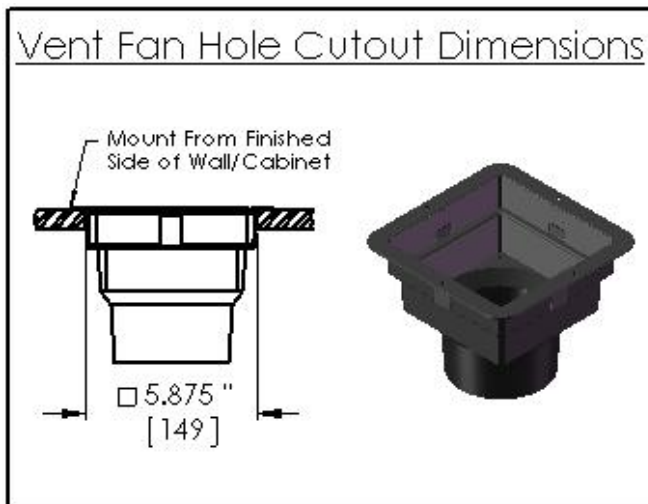


VF66-115VR

## ITEM CODE

## DESCRIPTION

VF66-12V	Vent Fan, PG66, White, 12 VDC, 4" Outlet
VF66-24V	Vent Fan, PG66, White, 24 VDC, 4" Outlet
VF66BK-12V	Vent Fan, PG66, Black, 12 VDC, 4" Outlet
VF66BK-24V	Vent Fan, PG66, Black, 24 VDC, 4" Outlet
VF66-115VR	Vent Fan, PG66, White, 115 VAC, Reverse Direction
VF144-12V	Vent Fan, In-Line, 4" In, 4" Out 12 VDC



VF144-12V

# QuietScent Air Freshener

In January 2009 we completed a fan project for another yacht builder. A long time user of Broan's 115 VAC air fresheners, they quickly needed a replacement for the discontinued product. Like the Broan product our QuietScent blows air across products like Air Wick's® stickups®. The Broan product was never intended for the high seas and shifting stickups® could and did break the fan blades in the Broan unit. We designed our product for motion. Although priced higher than common plug-in type air fresheners, our quality QuietScent Air Fresheners may be worth considering.



## ITEM CODE

## DESCRIPTION

AFW120

Air Freshener, White Grille, 120 VAC

