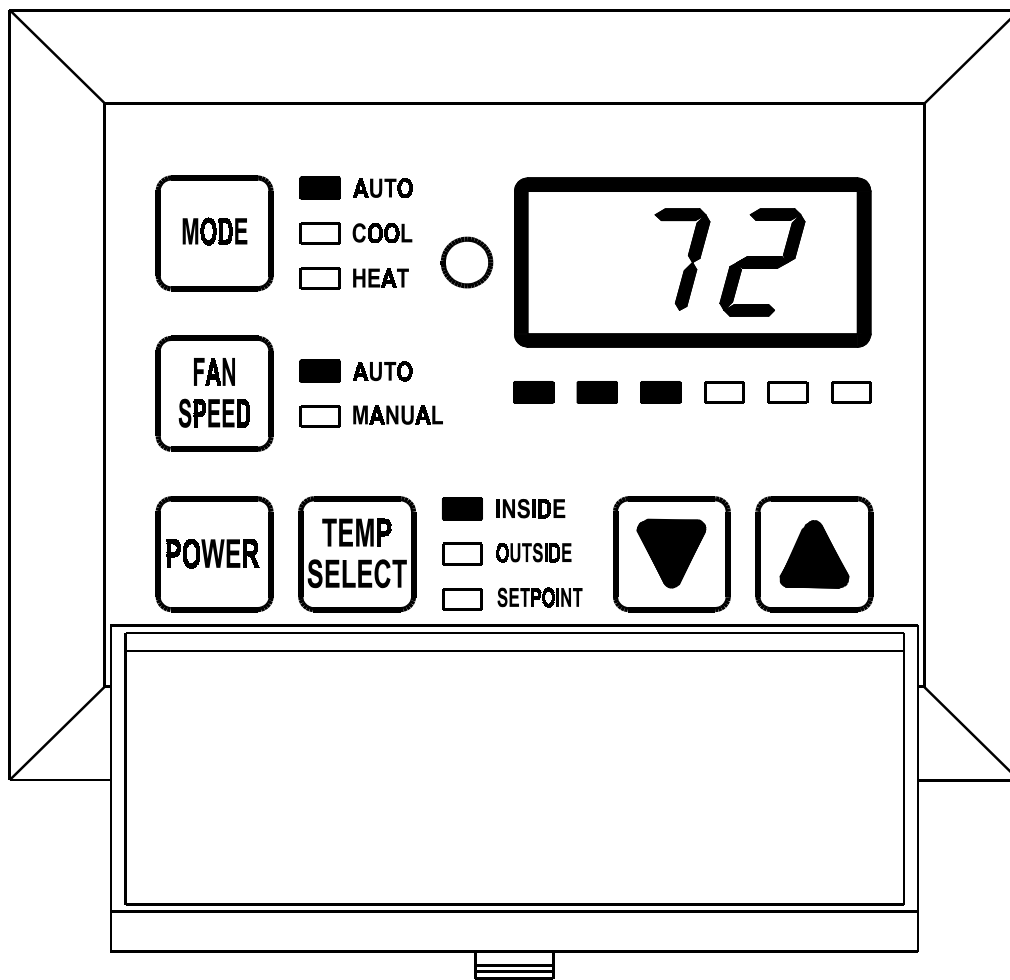




**DIGITAL THERMOSTAT** **TW2W**

The new *Tempwise 2001 Designer Series* Chillwater Digital Thermostat represents the next generation of Tempwise microprocessor based room temperature controllers. In addition to the user friendly features found in the current Tempwise 2000, this new thermostat comes housed in an acrylic display panel with hinged cover that can be painted to match the surrounding decor.



TEMPWISE 2001 DISPLAY PANEL  
SHOWN AT FULL SIZE

**AQUA-AIR MANUFACTURING, division of the James D. Nall Co., Inc.**  
1050 East 9th Street, Hialeah, Florida 33010 U.S.A.  
Ph. 305-884-8363 Fax 305-883-8549 E-mail sales@aquair.com

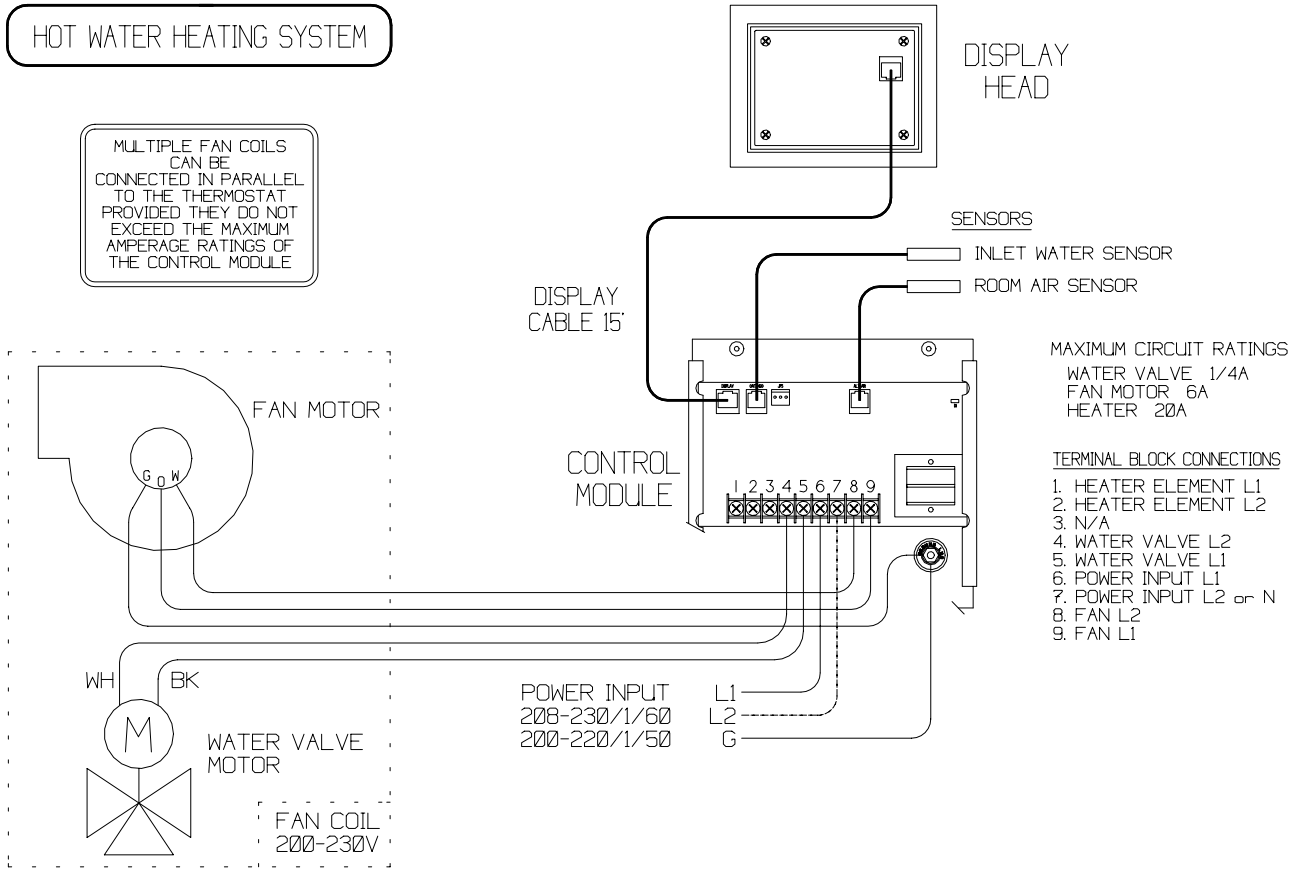
## **Tempwise 2001 FEATURES**

- < Paintable face plate cover with recess for matching wall covering insert
- < Continuous room temperature display with one touch set point temperature display or change
- < Displays Inside Air Temperature, Setpoint and Chillwater Temperature at the inlet to the fan coil
- < Maintains room temperature to within 2 degrees of set point
- < Remote temperature sensing bulb
- < Fahrenheit or Centigrade temperature display
- < Operates on all voltage and frequency inputs between 115-250 VAC, 50 or 60 Hz
- < Automatic or six manually selected fan speeds
- < Fan speeds automatically compensate for changes in incoming power supply
- < High speed and low speed fan limit settings
- < LED bar graph visually indicates fan speed
- < Fan can be set to run continuous or to cycle on and off as the room reaches the set point
- < Dehumidification mode controls room temperature and humidity level
- < Non-volatile EEPROM memory. Controller will not lose settings in memory due to power interruptions
- < Electric element heaters up to 20A can be operated directly from the controller
- < Controller is encased in a drip-proof, aluminum housing
- < Low voltage display panel offers the optimum in operator safety
- < Easy installation and connection of all components utilizing telephone type wire and jacks

# WIRING SCHEMATICS

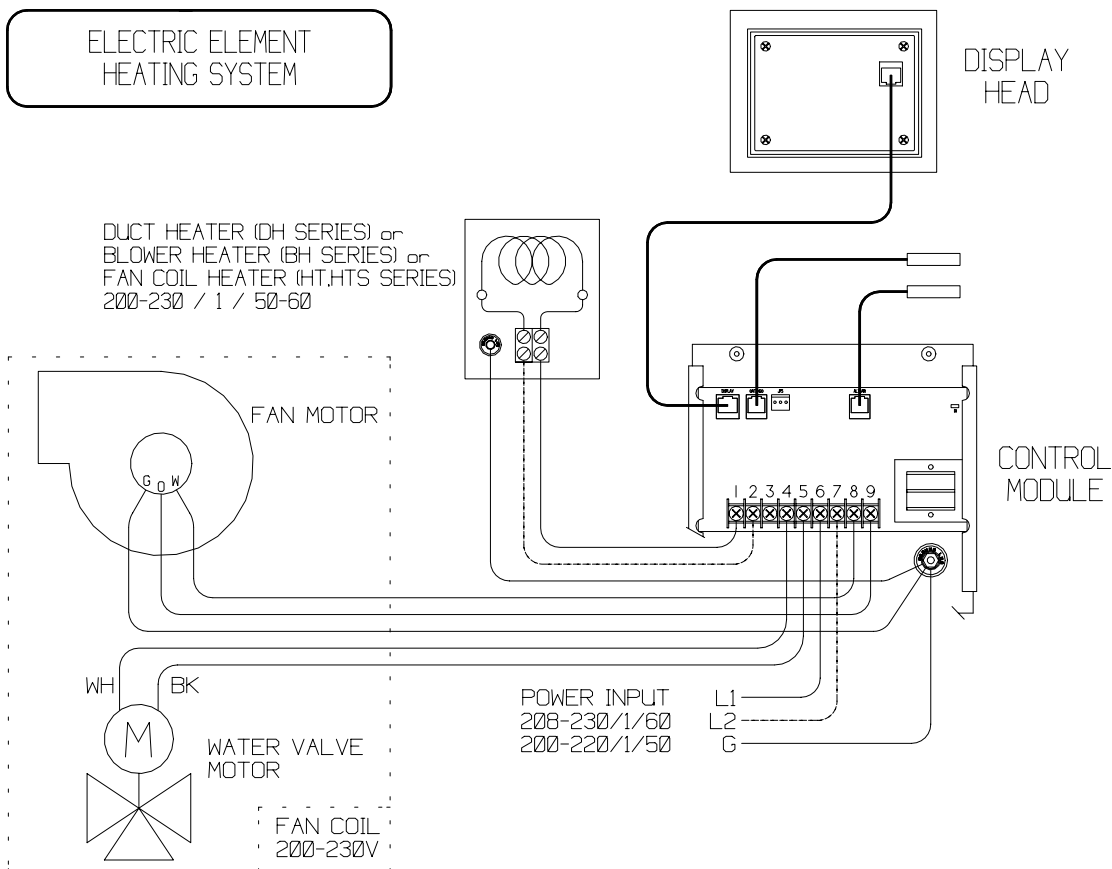
## HOT WATER HEATING SYSTEM

MULTIPLE FAN COILS CAN BE CONNECTED IN PARALLEL TO THE THERMOSTAT PROVIDED THEY DO NOT EXCEED THE MAXIMUM AMPERAGE RATINGS OF THE CONTROL MODULE

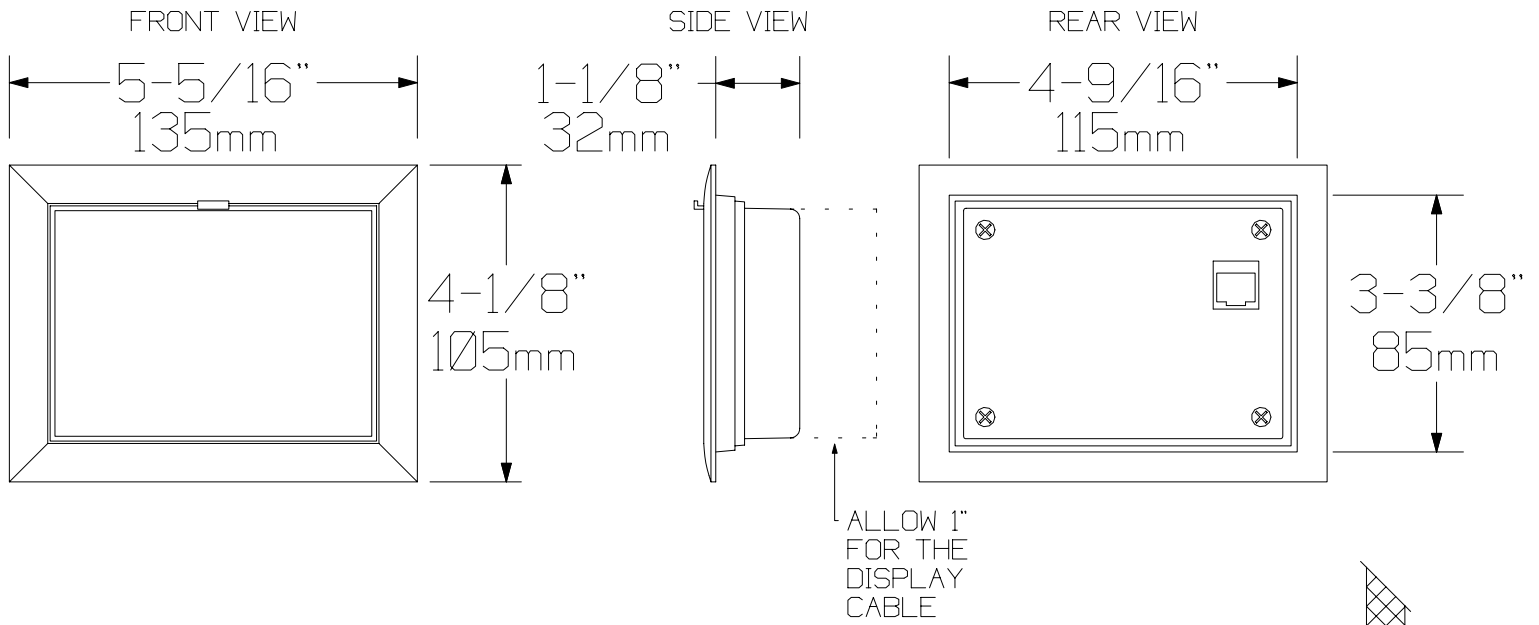


## ELECTRIC ELEMENT HEATING SYSTEM

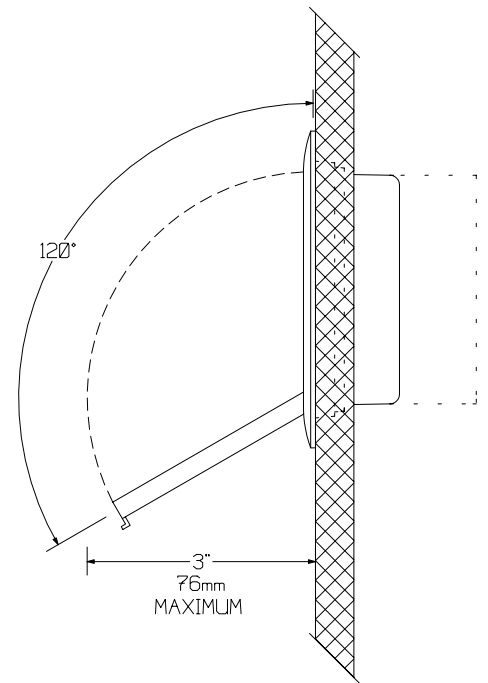
DUCT HEATER (DH SERIES) or BLOWER HEATER (BH SERIES) or FAN COIL HEATER (HT,HTS SERIES)  
200-230 / 1 / 50-60



# THERMOSTAT DIMENSIONS



TEMPWISE 2001 DISPLAY  
PANEL INSTALLED IN  
A TYPICAL 1/2" (13mm)  
BULKHEAD.



## CONTROL MODULE

