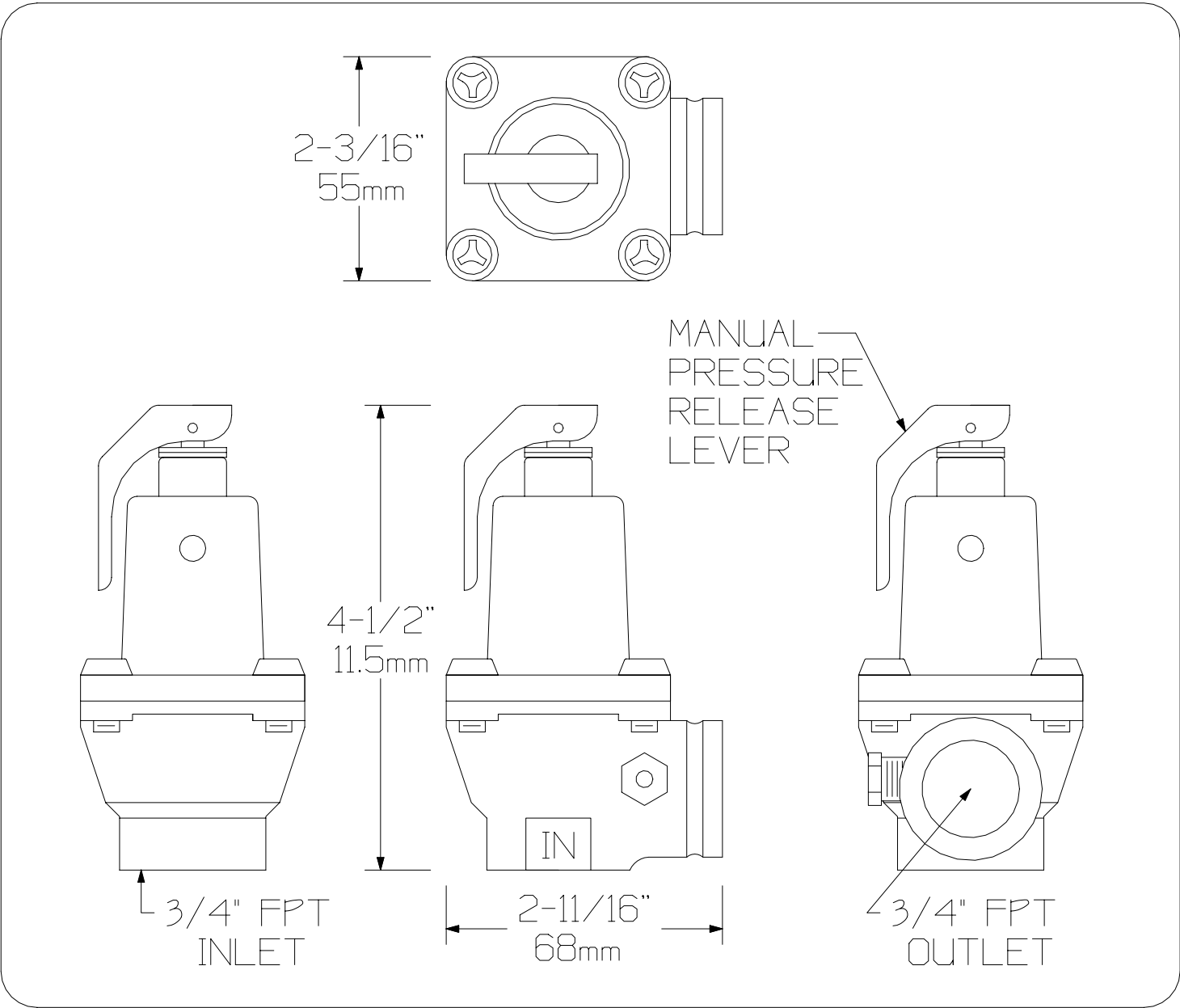




# IHPRV-75 WATER RELIEF VALVE

The IHPRV-75 Water Pressure Relief Valve is used on combination heating and cooling systems utilizing electric heating elements. The function of the IHPRV-75 is to relieve pressure in the system if it exceeds 30 psig. The outlet of the valve is piped overboard to prevent heated water from being discharged inside the vessel. Constructed of A.S.M.E. rated bronze. Meets Military Spec. MIL-V-136-12D, Type III.



AQUA-AIR MANUFACTURING, division of JAMES D. NALL CO., INC  
1050 EAST 9th STREET HIALEAH, FLORIDA 33010 U.S.A.  
PH. 305-884-8363 FAX 305-883-8549 EMAIL sales@aquair.com