



**CHILLWATER FAN COIL      AQOHW**

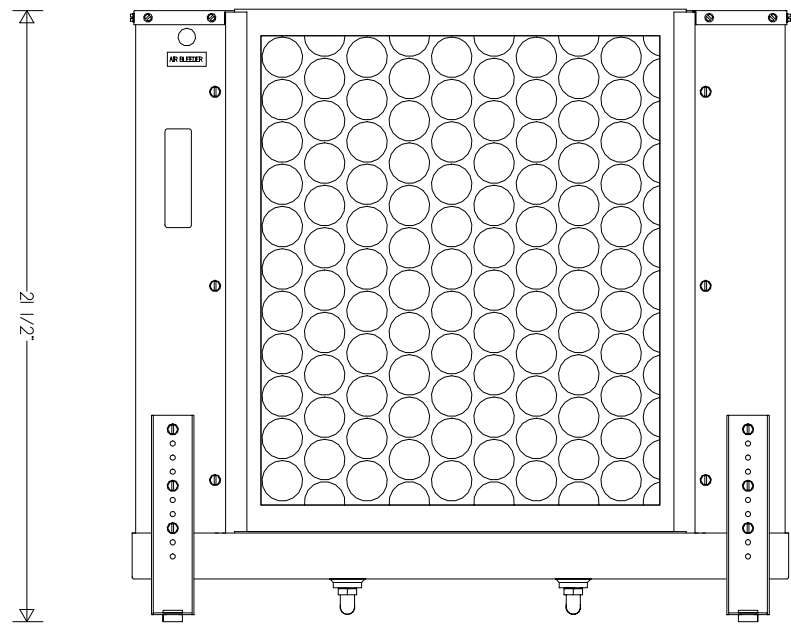
**FEATURES**

- ' High capacity squirrel cage blower is designed for quiet operation with flexible duct systems.
- ' Shaded pole motors for quiet operation on variable voltage fan controls
- ' Unit mounted terminal block for fan motor and water valve
- ' Three way motorized water valve is pre-installed on the unit. A separate valve assembly is not necessary.
- ' Dual condensate outlets on the drain pan are factory connected into a common 1/2" hose barb tee for ease of installation.
- ' Vertically adjustable mounting legs with rubber vibration pads and mounting screws.
- ' The air bleeder is mounted on the end of a 12" plastic tube for easy access during commissioning of the system.
- ' All surfaces that might have condensate form on them are covered in 1/8" thick foam insulation.
- ' A charcoal foam anti-slosh media is placed inside the drain pan to prevent water from splashing out in high seas.
- ' Units available for 115/1/60, 100/1/50, 208-230/1/60 and 200-220/1/50 power inputs.
- ' Aqua-Air HTS series blower heaters bolt directly to the discharge of the blower.
- ' Units can also be supplied in horizontal discharge models (AQOHW-24,36H)

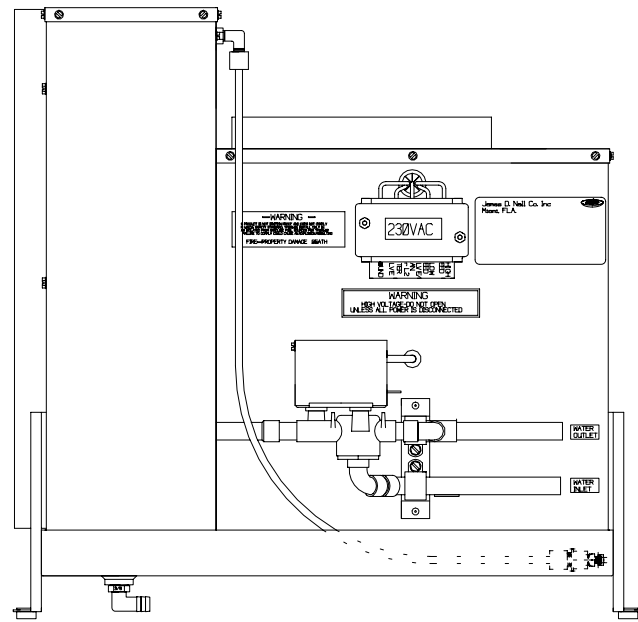
SPECIFICATIONS	AQOHW-24 AQOHW-24H	AQOHW-36 AQOHW-36H
COOLING CAPACITY	24,000 BTU/HR 6,048 KCAL/HR	36,000 BTU/HR 9,072 KCAL/HR
AIR FLOW CAPACITY	800 CFM 1359 M³H	1200 CFM 2039 M³H
WEIGHT	64 LBS 29 KGS	66 LBS 30 KGS
AMPERAGE DRAW	6.5 @ 115-1-60 3.2 @ 230-1-60	8.5 @ 115-1-60 4.3 @ 230-1-60
POWER CONSUMPTION	748 W	978 W
MINIMUM RETURN AIR GRILLE SIZE	200 in² 1290 cm²	288 in² 1858 cm²
MINIMUM SUPPLY AIR GRILLE SIZE	120 in² 774 cm²	160 in² 1032 cm²
CHILLWATER INLET / OUTLET SIZE	5/8" OD 16 mm OD	5/8" OD 16 mm OD
MAXIMUM DUCT HEATER	4 kW	6 kW

ADD "C" TO THE END OF THE MODEL NUMBER FOR A 208-230/1/60 UNIT, "CK" FOR A 200-220/1/50 UNIT 80945.WPD

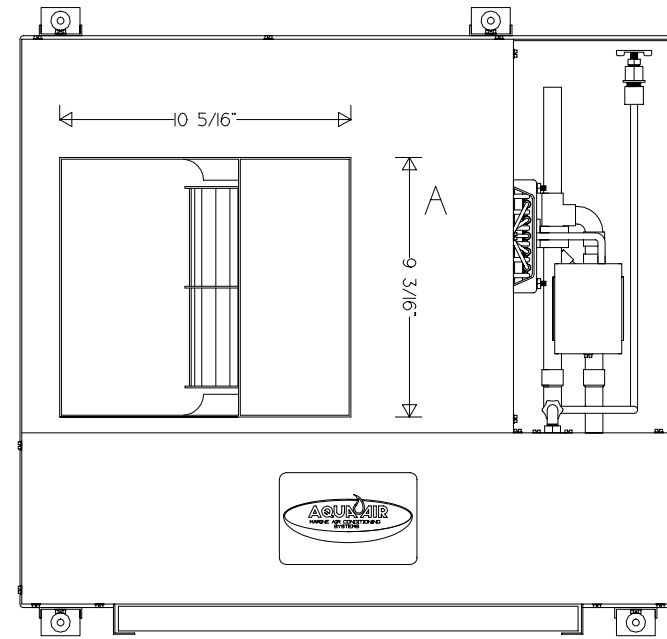
**AQUA-AIR MANUFACTURING, division of the James D. Nall Co., Inc.**  
**1050 East 9th Street, Hialeah, Florida 33010 U.S.A.**  
**Ph. 305-884-8363 Fax 305-883-8549 Email sales@aquair.com**



FRONT VIEW 24/36

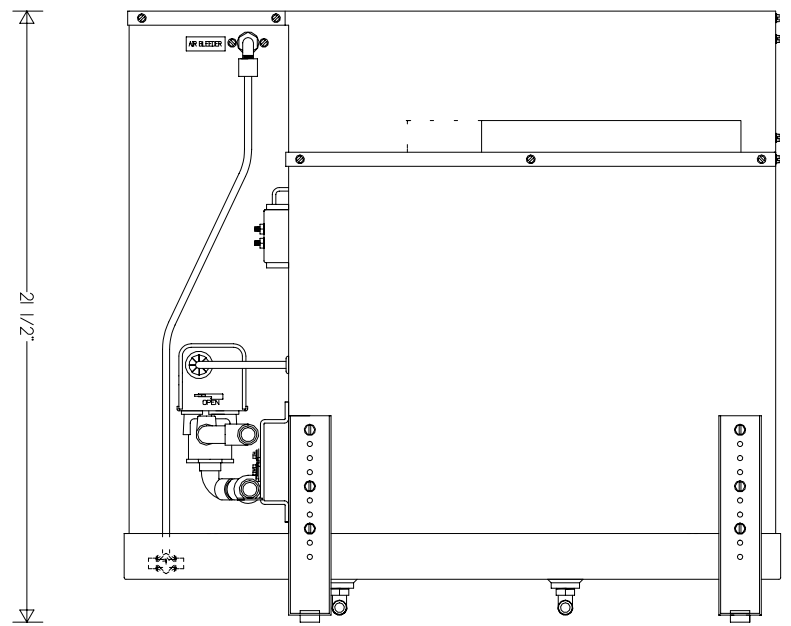


RIGHT VIEW 24

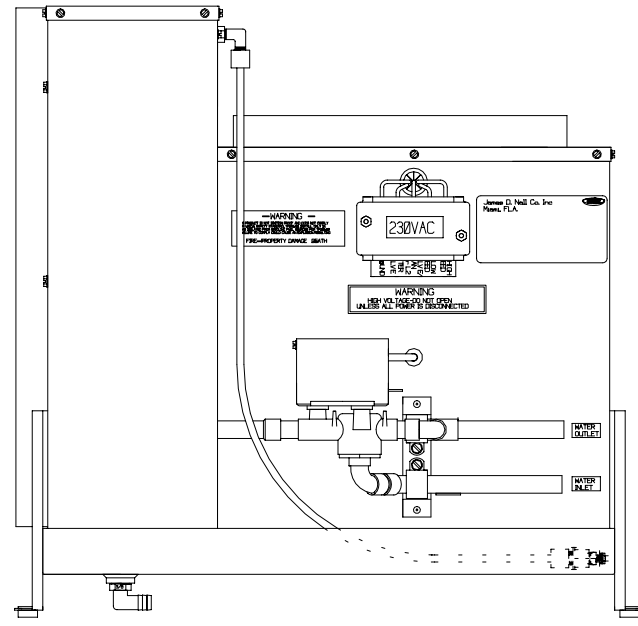


TOP VIEW 24

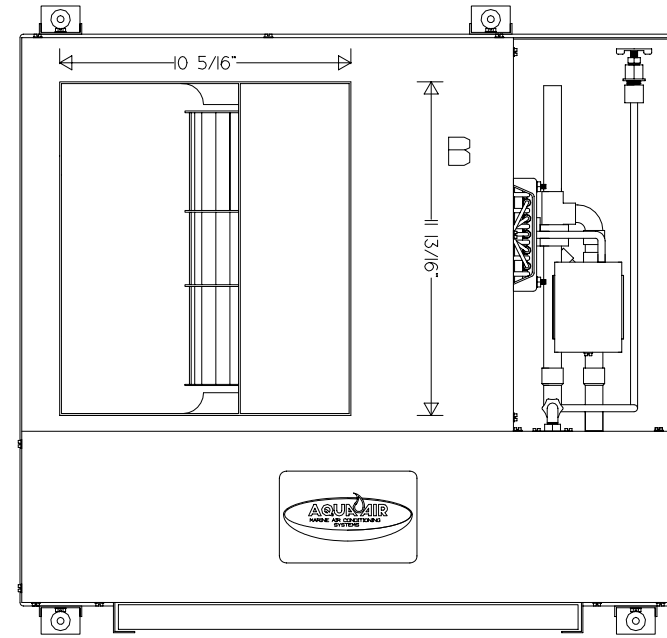
AQOHW-24: A=9-3/16"=9.18mm  
 AQOHW-36: B=11-13/16"=11.81mm



REAR VIEW 24/36



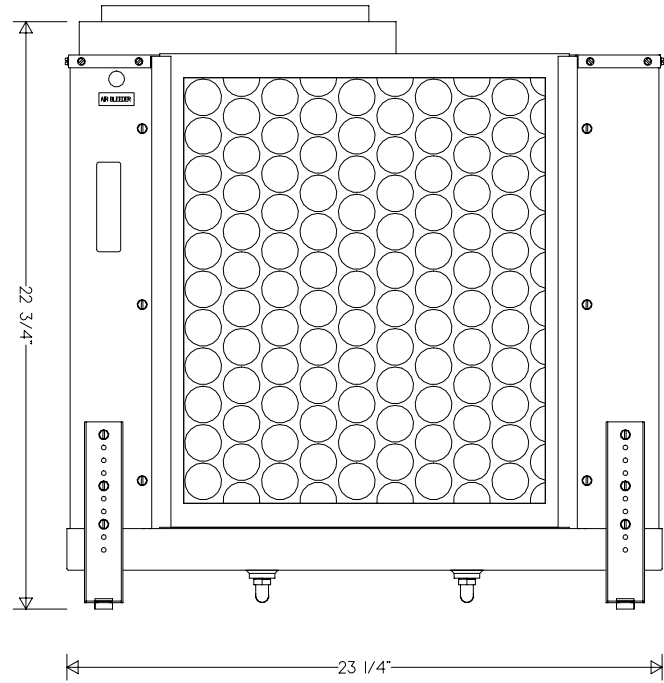
RIGHT VIEW 36



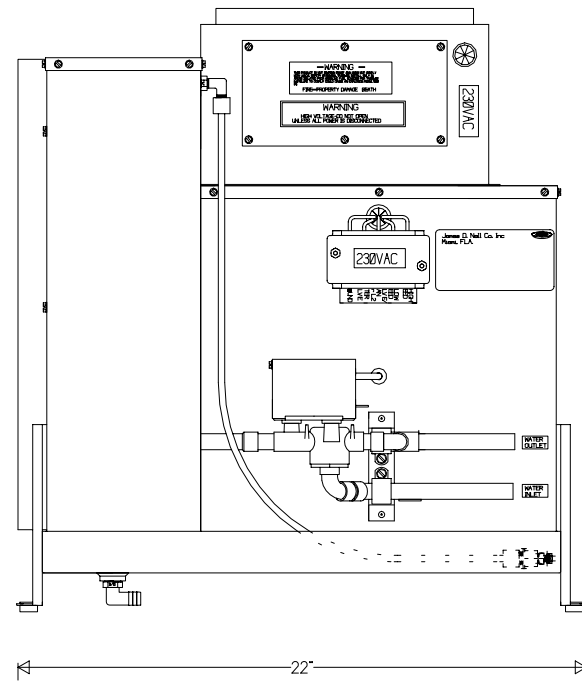
TOP VIEW 36

<b>AQUA-AIR</b> MARINE AIR CONDITIONING SYSTEM			
AQOHW - 24 & 36 FAN COIL UNITS WITHOUT B. HEATER			
DRAWING NUMBER	AQOCW	DRAWN BY	LES
SCALE	NONE	APPROVED BY	REVISION DATE
			DATE 09-29-95
			REV A

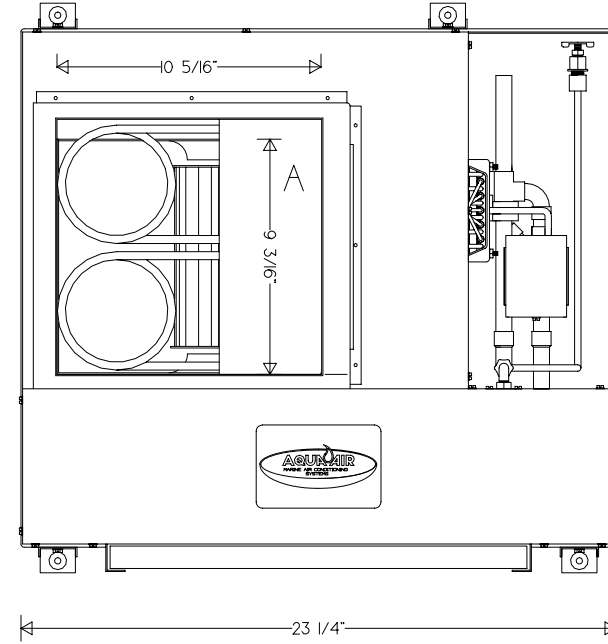
FRONT VIEW 24/36



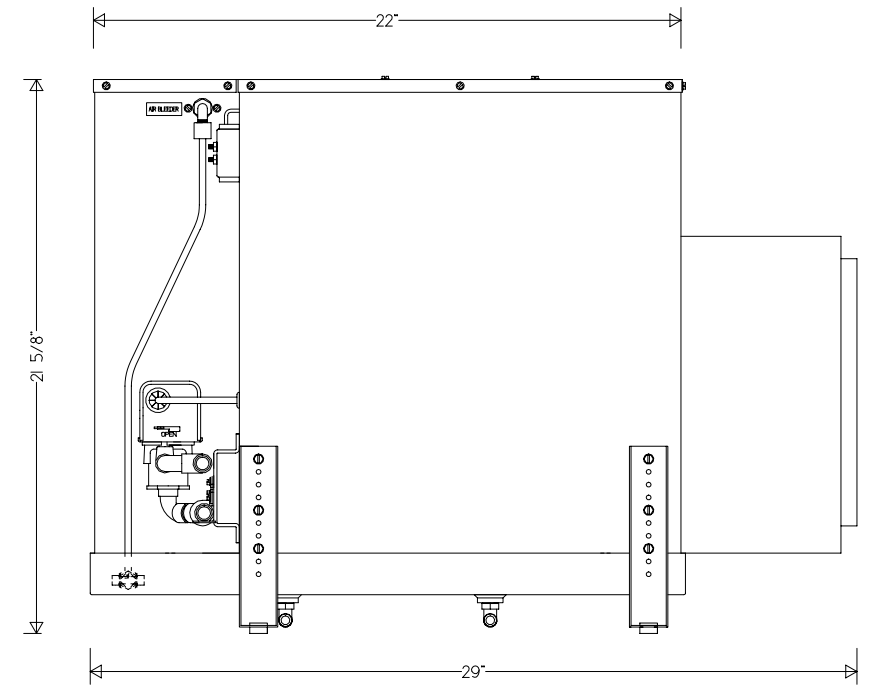
RIGHT VIEW 24



TOP VIEW 24

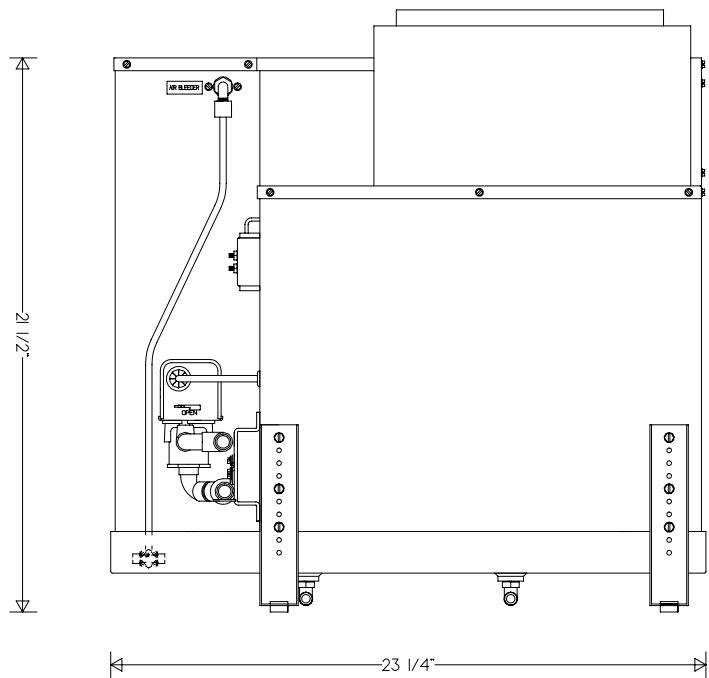


REAR VIEW 24 & 36

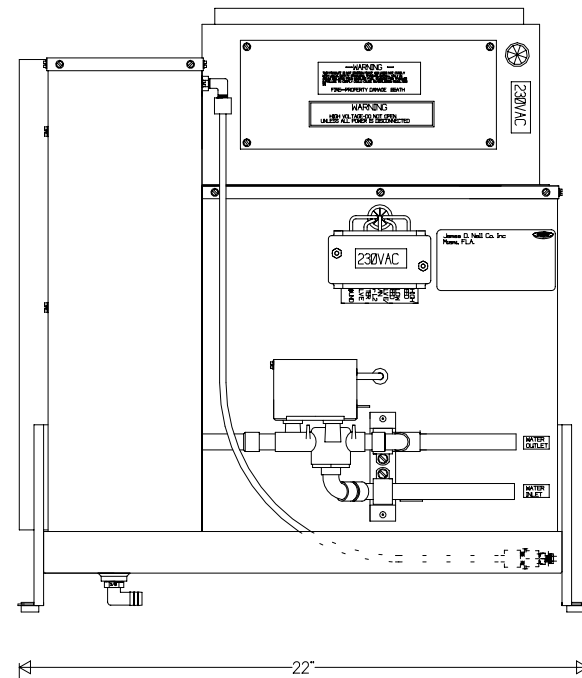


SHOWN BLOWER ROTATED 90°  
HORIZONTAL DISCHARGE

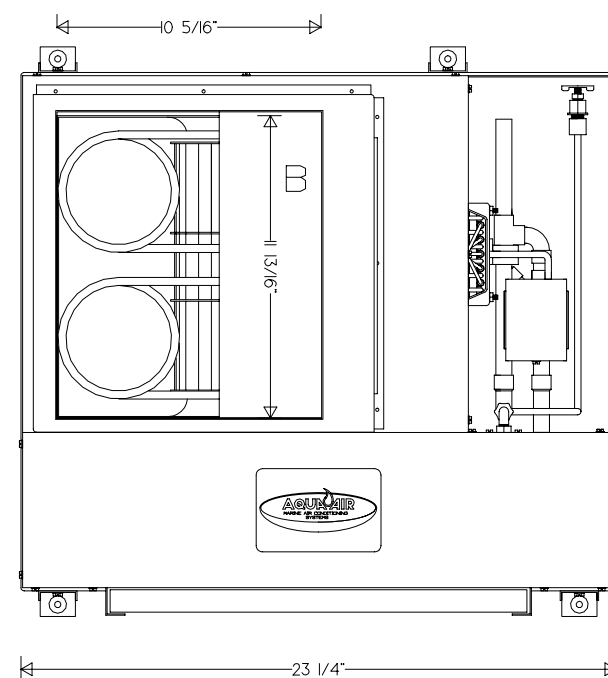
REAR VIEW 24/36



RIGHT VIEW 36



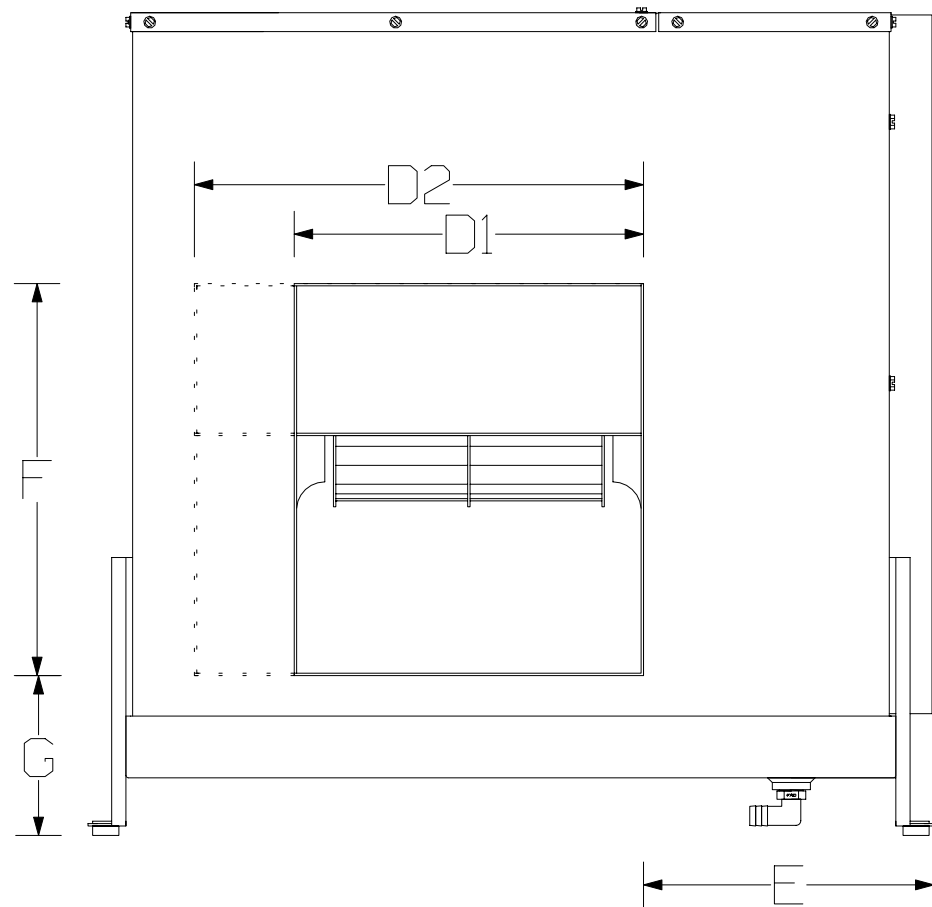
TOP VIEW 36



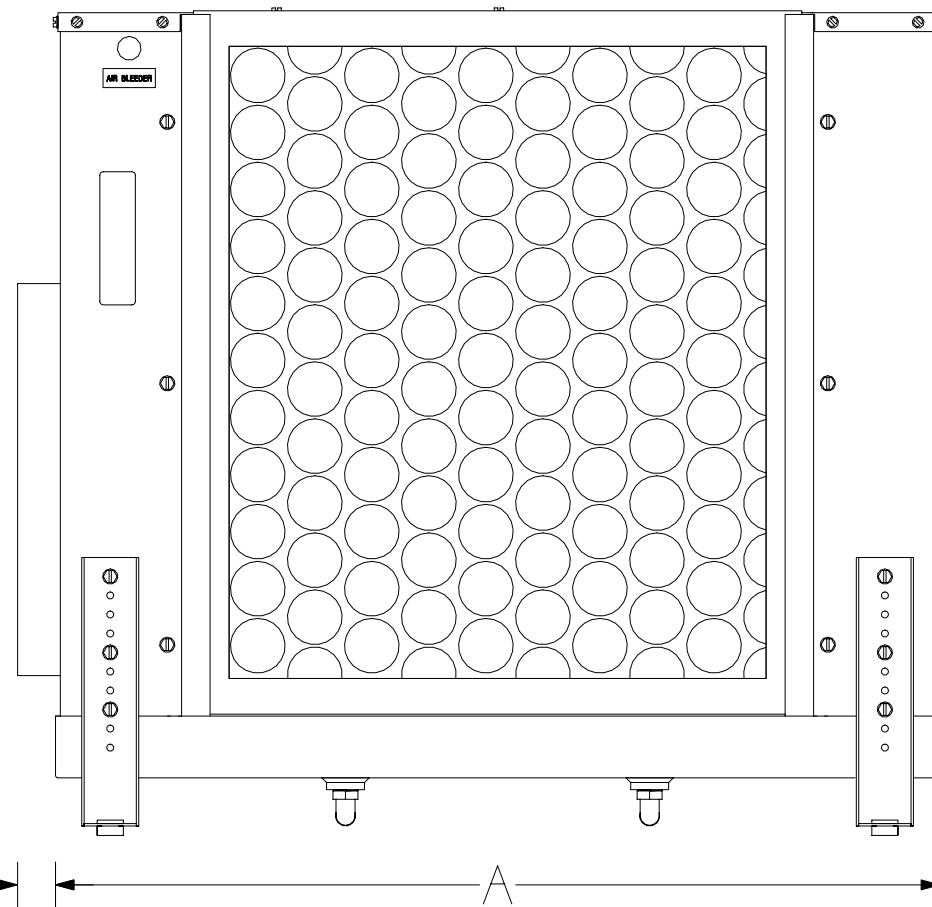
AQOHW-24: A=9-3/16"=9.18mm  
AQOHW-36: B=11-13/16"=11.81mm

<b>AQUAIR</b> MARINE AIR CONDITIONING SYSTEM	
AQOHW - 24 & 36 FAN COIL UNITS WITH BLOWER HEATER	
DRAWING NUMBER	AQOHW-BH
DRAWN BY	LES
DATE	09-29-95
SCALE	NONE
APPROVED BY	
REVISION DATE	A
REV	

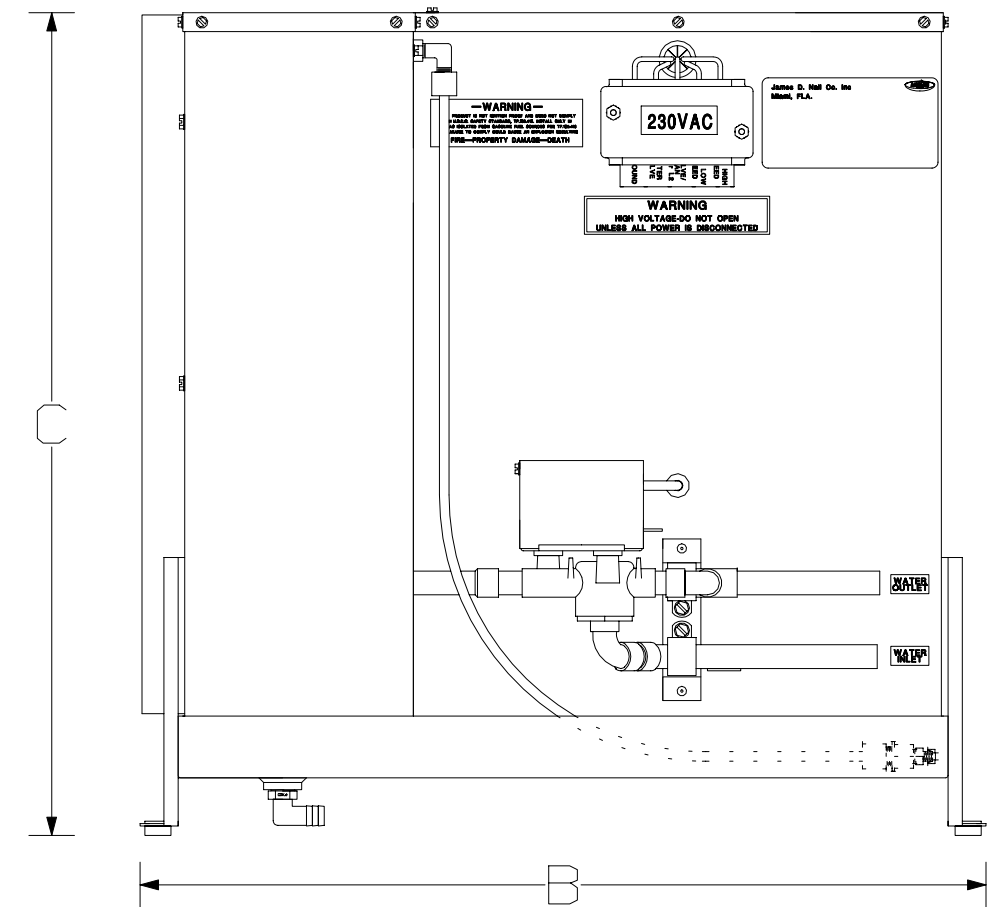
LEFT VIEW



FRONT VIEW

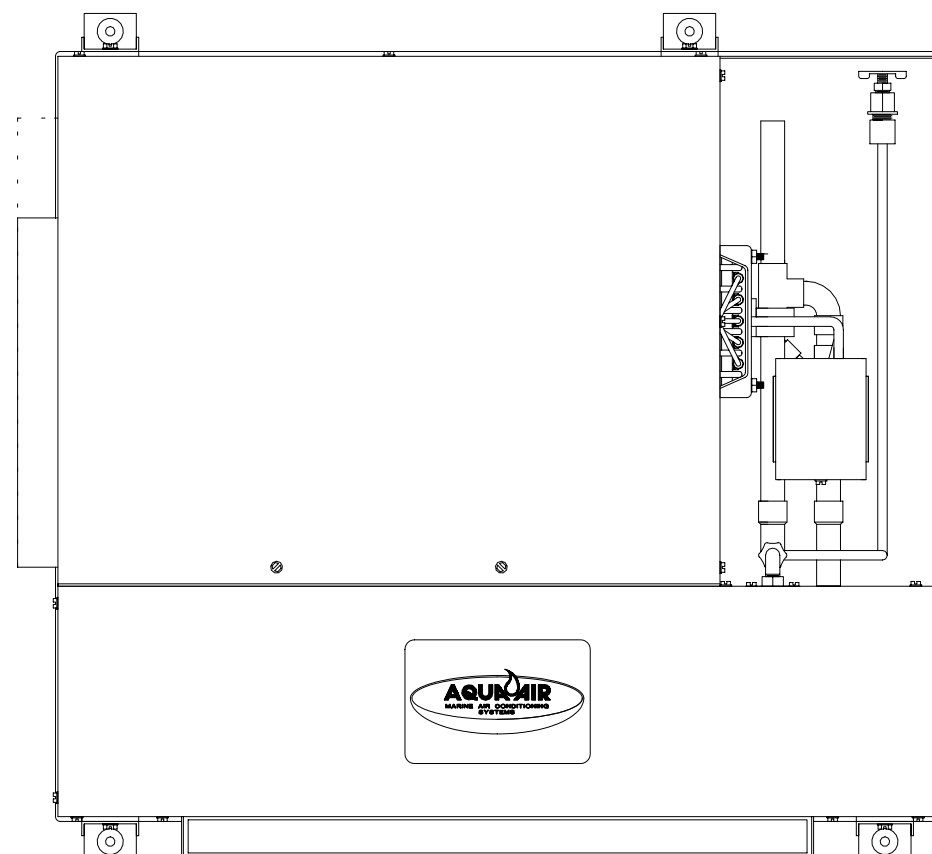


RIGHT VIEW



UNIT DIMENSIONS

A	23-1/4"	591mm	
B	22-1/4"	565mm	
C	21-3/4"	552mm	
D1	9-3/16"	233mm	AQOHW-24H
D2	11-13/16"	300mm	AQOHW-36H
E	7-5/8"	194mm	
F	10-5/16"	262mm	
G	4-3/16"	106mm	
H	1"	25mm	



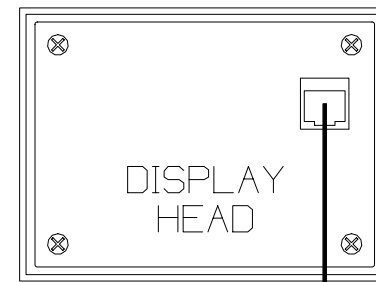
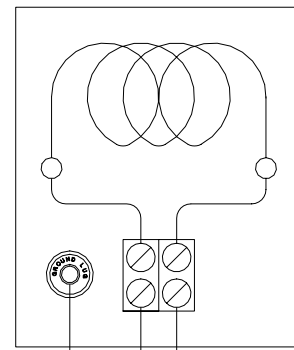
TOP VIEW

**AQUAIR** MARINE AIR CONDITIONING SYSTEMS

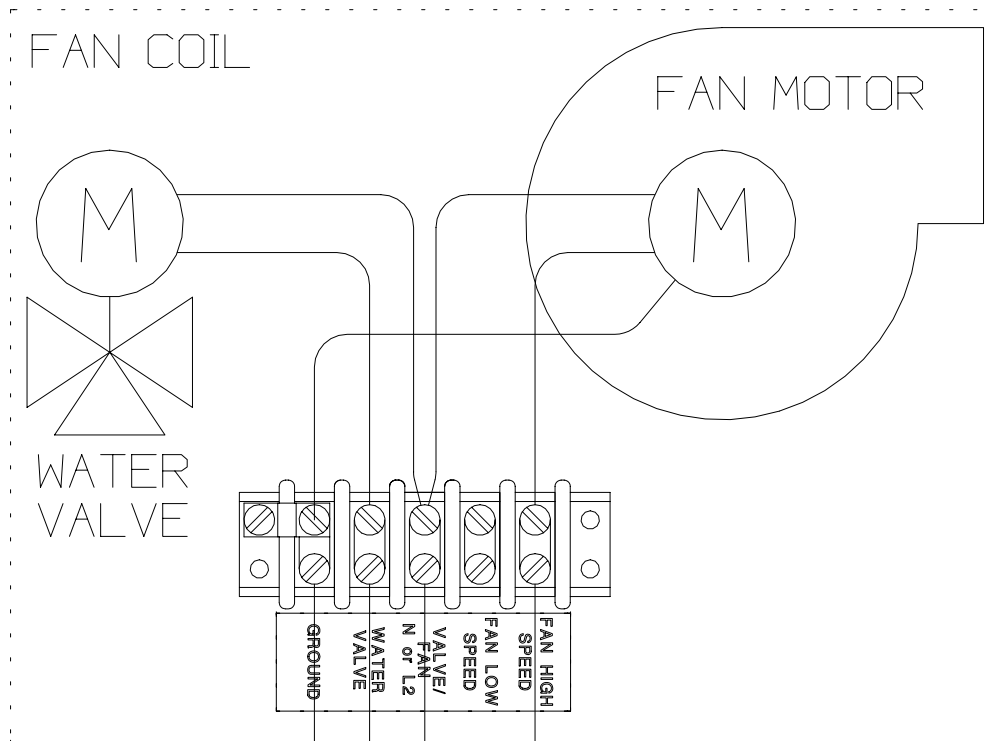
AQOHW-24,36H DIMENSIONAL HORIZONTAL DISCHARGE

DRAWING NUMBER	AQOHW-H	DRAWN BY	DN	DATE	10-17-94
SCALE	FULL	APPROVED BY		REVISION DATE	
					REV A

DUCT HEATER (DH SERIES) or  
 BLOWER HEATER (BH SERIES) or  
 FAN COIL HEATER (HT,HTS SERIES)



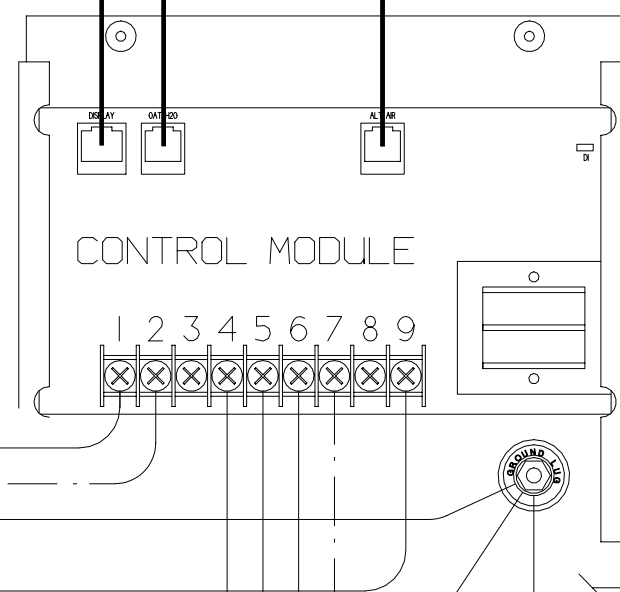
MULTIPLE FAN COILS  
 CAN BE  
 CONNECTED IN PARALLEL  
 TO THE THERMOSTAT  
 PROVIDED THEY DO NOT  
 EXCEED THE MAXIMUM  
 AMPERAGE RATINGS OF  
 THE CONTROL MODULE



DISPLAY  
 CABLE 15'

INLET WATER SENSOR  
 ROOM AIR SENSOR

INLET WATER SENSOR NOTE  
 ATTACH SENSOR TO THE  
 WATER INLET LINE AT  
 FAN COIL WATER VALVE



MAXIMUM CIRCUIT RATINGS  
 WATER VALVE 1/4A  
 FAN MOTOR 6A  
 HEATER 20A

TERMINAL BLOCK CONNECTIONS

1. HEATER ELEMENT L1
2. HEATER ELEMENT L2
3. N/A
4. WATER VALVE L2
5. WATER VALVE L1
6. POWER INPUT L1
7. POWER INPUT L2 or N
8. FAN L2
9. FAN L1

ALL L2 CONNECTIONS  
 ARE COMMON TO EACH OTHER

POWER INPUT  
 115/1/60  
 200-230/1/50-60  
 L2 or N  
 L1  
 G

NOTE: FAN COIL MOTOR, WATER VALVE & HEATER MUST BE  
 RATED FOR THE SAME VOLTAGE AS THE POWER INPUT.

<b>AQUA-AIR</b> MARINE AIR CONDITIONING SYSTEMS			
TW2W DIGITAL THERMOSTAT w/ SINGLE AQOHW STYLE FAN COIL 115 or 230V w/ SINGLE PHASE ELECTRIC HEAT			
DRAWING NUMBER	4008-44	DRAWN BY	DN
		DATE	2-26-98
SCALE	NONE	APPROVED BY	REVISION DATE
			REV A