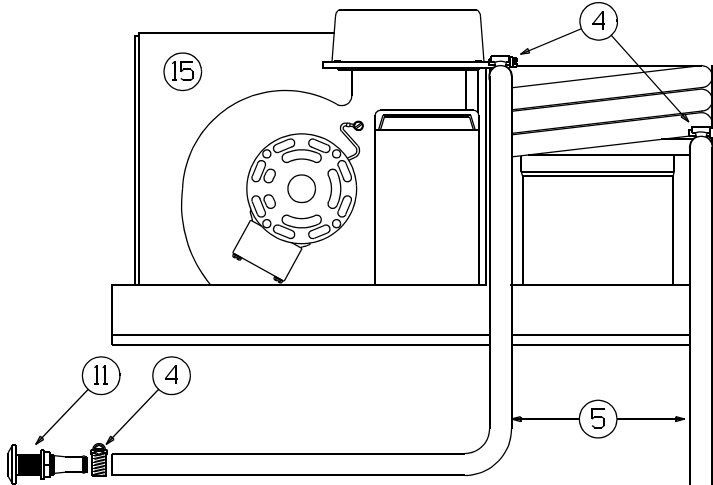
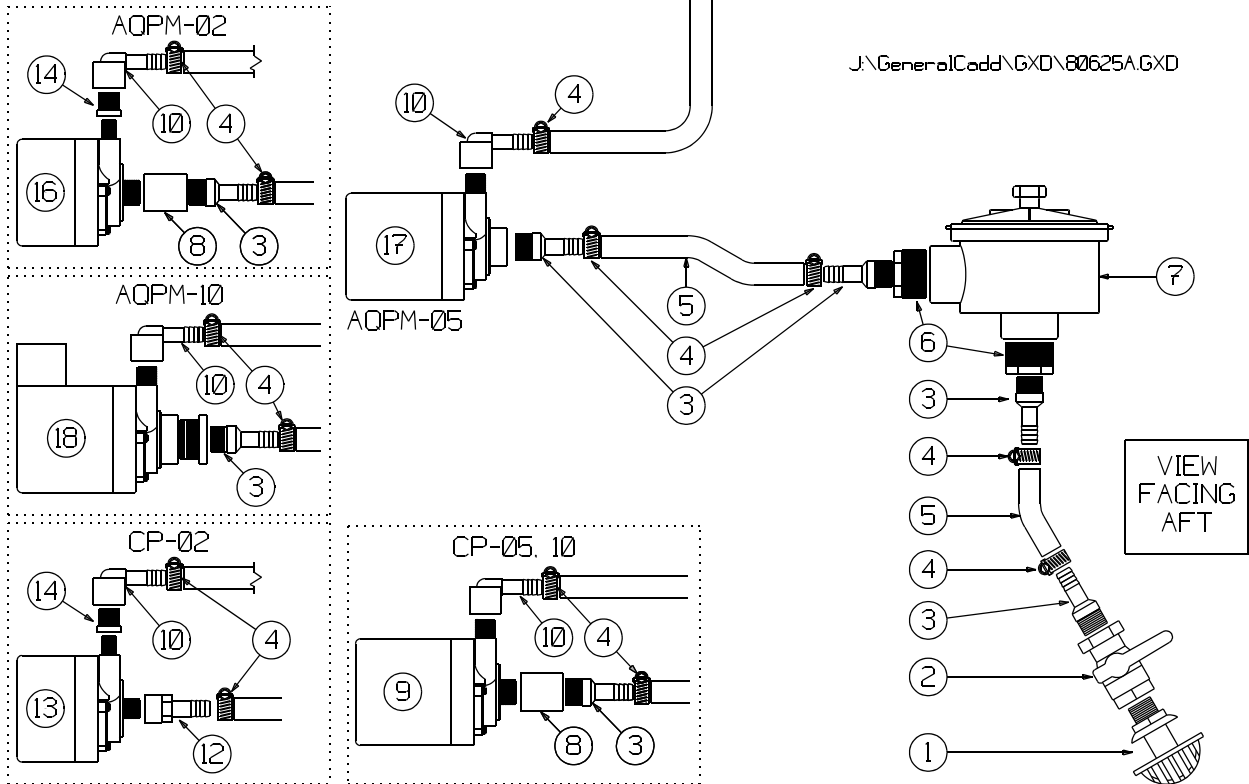


SWKU Universal Seawater Installation Kit

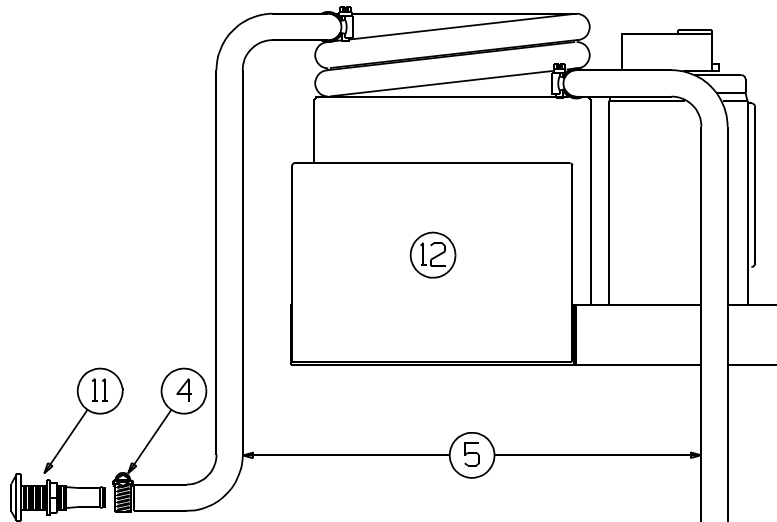


SWKU KIT COMPONENTS

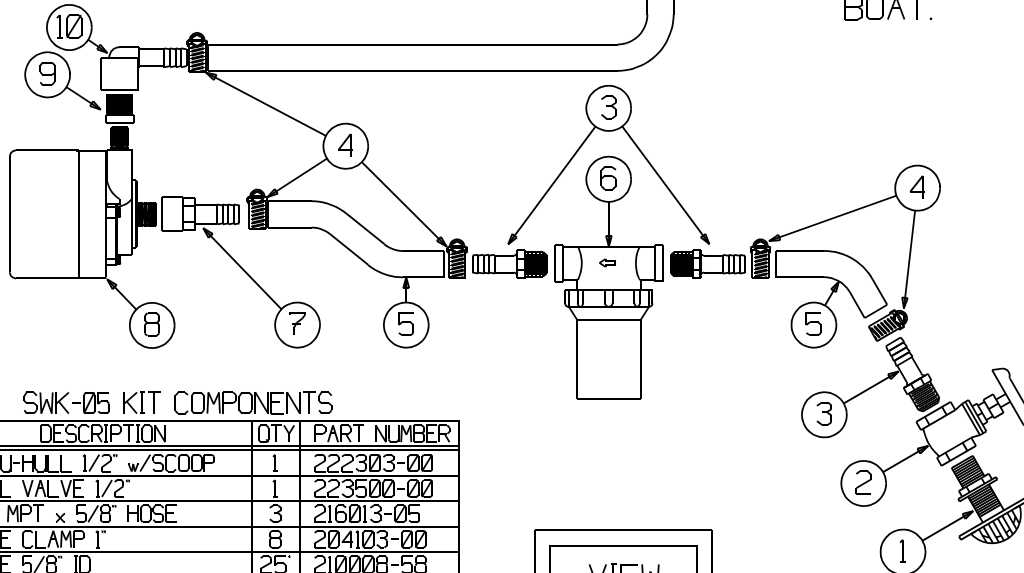
ITEM	DESCRIPTION	QTY	PART NUMBER
1	THRU-HULL 3/4" w/SCOOP	1	222304-01
2	BALL VALVE 3/4"	1	223501-01
3	3/4" MPT x 5/8" HOSE	4	216014-00
4	HOSE CLAMP 1"	10	204103-00
5	HOSE 5/8" ID	25	210008-58
6	ADAPTER 1-1/2"x3/4"	2	220410-02
7	SEAWATER STRAINER 1-1/2"	1	220410-01
8	COUPLING 3/4" FPT	1	216015-00
9	SEAWATER PUMP	-	CP-05 or 10
10	1/2" FPT x 5/8" HOSE ELL	1	216013-01
11	OVERBOARD THRU-HULL 5/8"	1	222301-02
12	1/2" FPT x 5/8" HOSE	1	216013-00
13	SEAWATER PUMP	-	CP-02
14	ADAPTER 1/2" x 1/4"	1	216003-12
15	SELF CONTAINED UNIT	-	AOSC UNIT
16	SEAWATER PUMP	-	AOPM-02
17	SEAWATER PUMP	-	AOPM-05
18	SEAWATER PUMP	-	AOPM-10



# SWK-05 Seawater Installation Kit for ST(M)R-05 Self Contained Unit



**IMPORTANT**  
SEAWATER PUMP  
MUST BE MOUNTED  
BELOW THE RUNNING  
WATER LINE OF THE  
BOAT.



SWK-05 KIT COMPONENTS

ITEM	DESCRIPTION	QTY	PART NUMBER
1	THRU-HULL 1/2" w/SCOOP	1	222303-00
2	BALL VALVE 1/2"	1	223500-00
3	1/2" MPT x 5/8" HOSE	3	216013-05
4	HOSE CLAMP 1"	8	204103-00
5	HOSE 5/8" ID	25'	210008-58
6	SEAWATER STRAINER 1/2"	1	220402-01
7	1/2" FPT x 5/8" HOSE	1	216013-00
8	SEAWATER PUMP	-	CP-02
9	ADAPTER 1/2" x 1/4"	1	216003-12
10	1/2" FPT x 5/8" HOSE ELL	1	216013-01
11	OVERBOARD THRU-HULL 5/8"	1	222301-02
12	SELF CONTAINED UNIT	-	ST(M)R-05
13	3/4" MPT x 5/8" HOSE	1	216014-00
14	COUPLING 3/4" FPT	1	216015-00
15	SEAWATER PUMP	-	AOPM-02

J:\General\Cadd\GXD\80625B.GXD