



**AQP6R Shown**

Pump relays are used when more than one self contained, condensing or chiller units are supported by a single seawater pump. One triggering circuit is needed for each unit to be supplied by the pump.

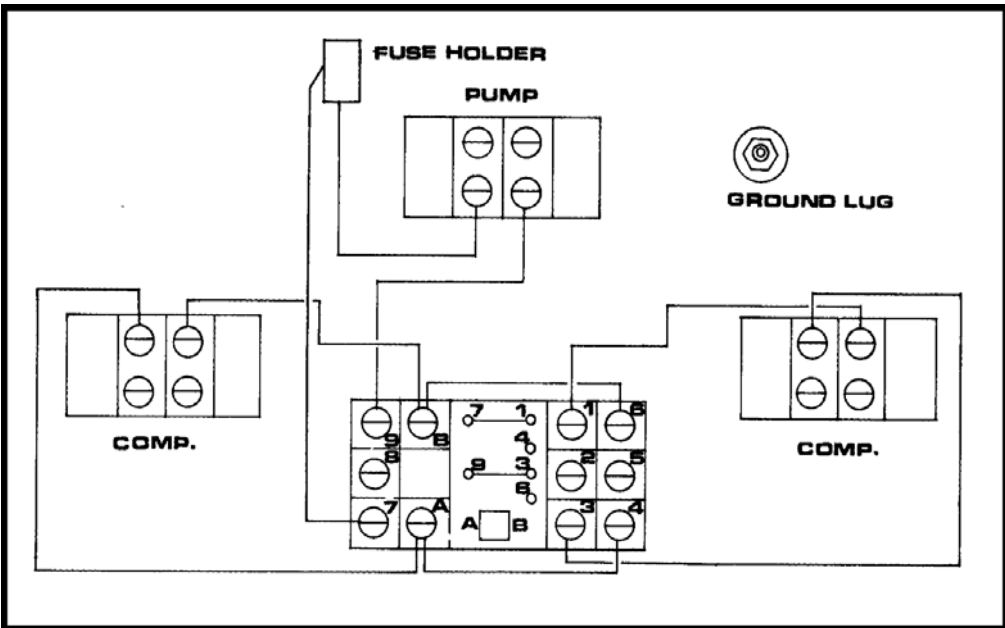
The AQP2R pump relay utilizes an open type relay to provide power to the pump from two individual units. The AQP2RS and AQP6R are solid state relays, capable of accepting up to two and six different inputs to pre-installed trigger circuits.

The AQP6RC, D & E are used when the amperage of the pump to be controlled exceeds the amperage carrying capacity of the controller you are using or when controlling 3 phase pumps. Each will accept as many as 6 triggering inputs in either 100-120/1/50-60 or 200-240/1/50-60 power ranges.

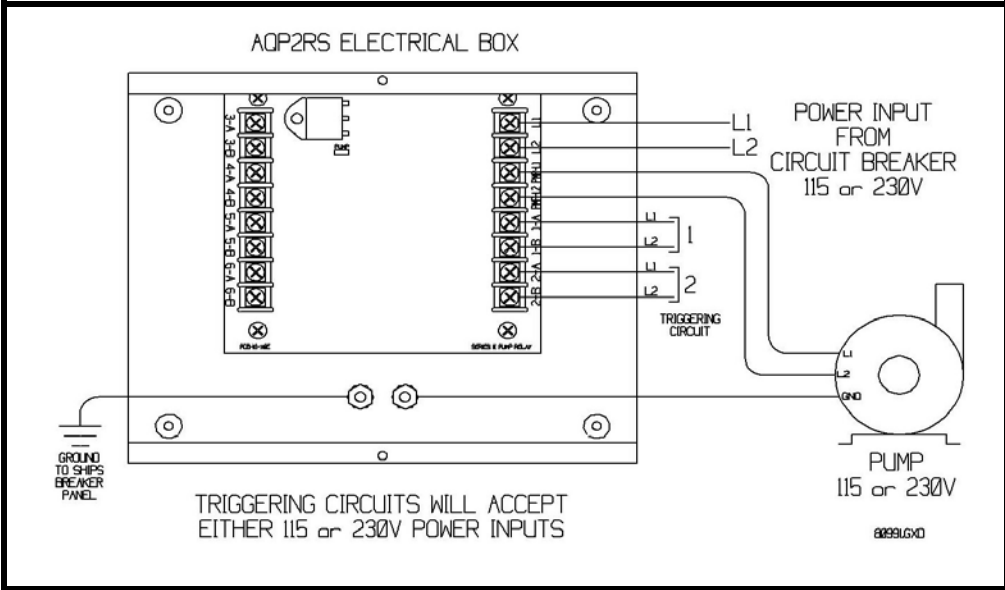
Technical Specifications									
PUMP RELAY MODEL	MAX INPUTS	MAX RATED AMPS	CONTROL VOLTAGE	PH	PUMP VOLTAGE	HEIGHT in / mm	WIDTH in / mm	DEPTH in / mm	IGNITION PROTECTED
AQP2R	2	10	115	1	115	4 / 101	9-1/2 / 241	5-1/2 / 140	N
AQP2RC	2	10	230	1	230	4 / 101	9-1/2 / 241	5-1/2 / 140	N
AQP2RS	2	10	115/230	1	115/230	2-1/4 / 57	7-1/8 / 181	6-13/16 / 173	Y
AQP6R	6	10	115/230	1	115/230	2-1/4 / 57	7-1/8 / 181	6-13/16 / 173	Y
AQP6RC	6	20	115/230	1	200/240	5-9/16 / 142	10-7/16 / 265	6-1/8 / 156	N
AQP6RD	6	30	115/230	3	200/240	5-9/16 / 142	10-7/16 / 265	6-1/8 / 156	N
AQP6RE	6	30	115/230	3	380/460	5-9/16 / 142	10-7/16 / 265	6-1/8 / 156	N

I:\WORDPFCT\80085.wpd

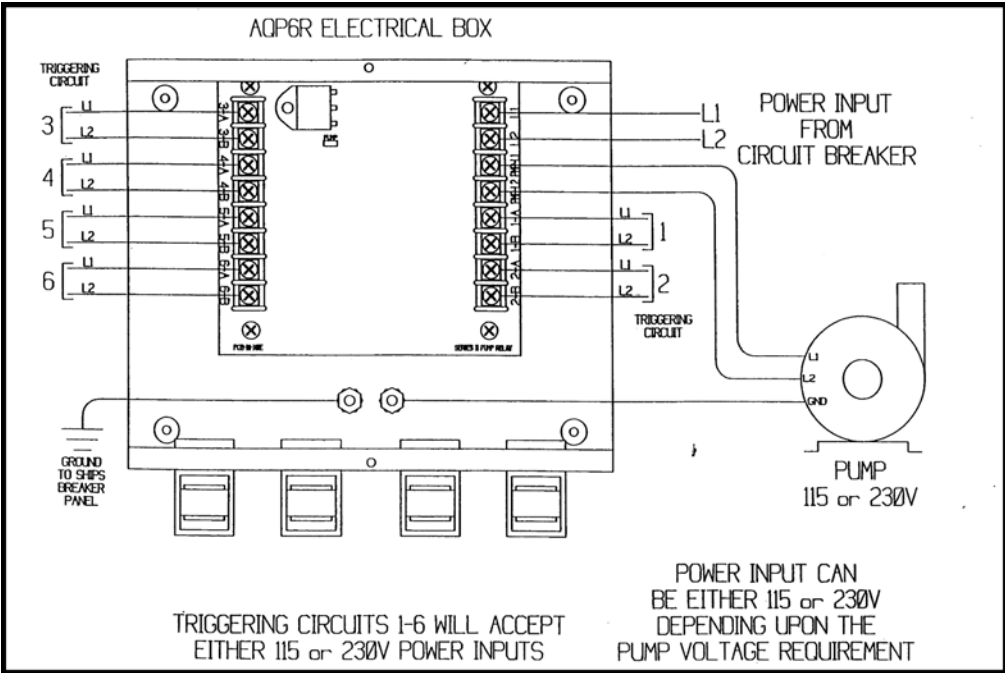
**AQUA-AIR MANUFACTURING, division of the James D. Nall Co., Inc.**  
1050 East 9th Street, Hialeah, Florida 33010 U.S.A.  
Ph. 305-884-8363 Fax 305-883-8549 [sales@aquair.com](mailto:sales@aquair.com)  
[www.aquair.com](http://www.aquair.com)



**AQP2R(C)**



**AQP2RS**



**AQP6R**