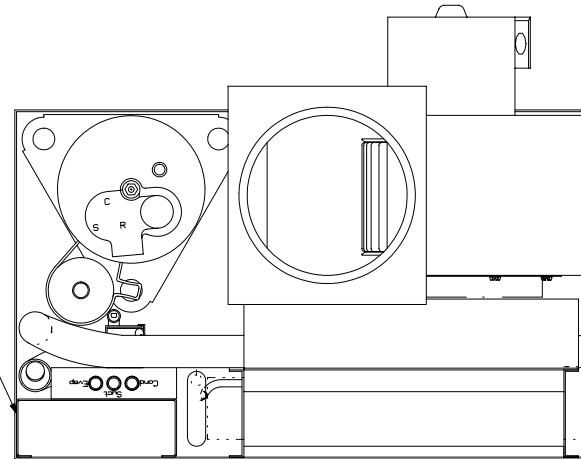


SEAWATER PUMP
SAME VOLTAGE
AS SYSTEM VOLTAGE

LOCATION OF
TERMINAL STRIP
INSIDE BOX



SELF CONTAINED UNIT
7-24,000 BTUH
115 or 230V

SYSTEM VOLTAGE

115v	230v	
GROUND	GROUND	G
LINE	LINE 1	BK
NEUTRAL	LINE 2	W

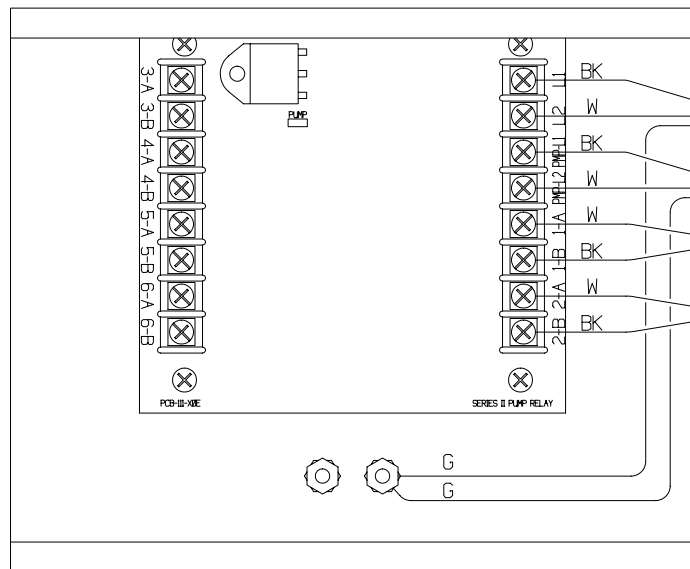
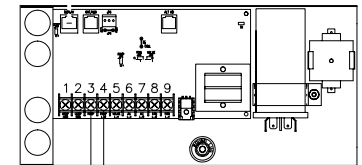
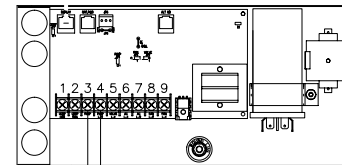
CONNECT TO SHIP'S
CIRCUIT BREAKER PANEL
TO PROPERLY SIZED
CIRCUIT BREAKER
FOR PUMP USED

WIRE COLORS

W	WHITE
BK	BLACK
G	GREEN

SELF CONTAINED UNIT #1

SELF CONTAINED UNIT #2



AQP6R PUMP RELAY

UP TO FOUR MORE SELF CONTAINED
UNITS CAN BE CONNECTED TO
THE AQP6R ON POSITIONS
3A/3B THRU 6A/6B
INPUTS TO 1A/1B THRU 6A/6B
CAN BE EITHER 115 or 230V

AQUA-AIR MARINE AIR CONDITIONING SYSTEMS			
AQP6R w/2 or MORE SELF CONTAINED UNITS STR-07K thru 16K BTUH			
DRAWING NUMBER 4010-03C	DRAWN BY SB	DATE 04-05-01	
SCALE NONE	APPROVED BY DN	REVISION DATE	REV A